

WHEELCHAIR  
ROLLSTUHL  
CARROZZINA MANUALE  
WÓZKACH

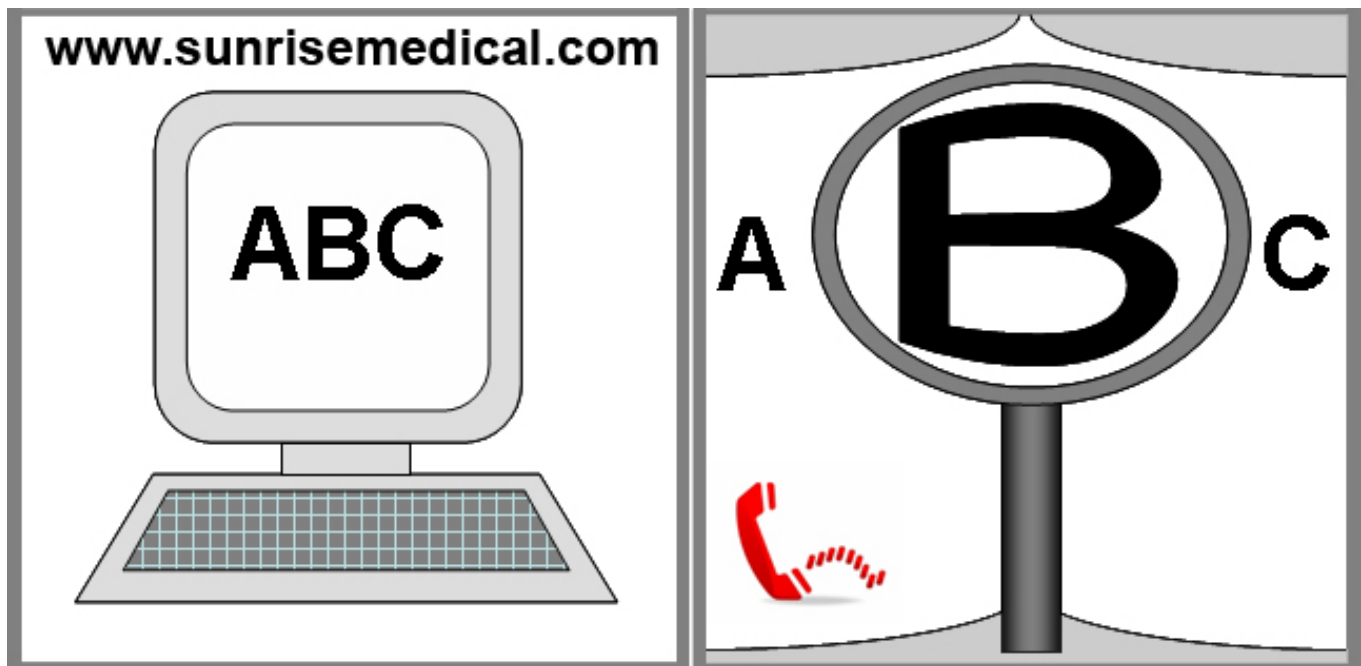


UniX<sup>2</sup>

DIRECTIONS FOR USE  
GEBRAUCHSANWEISUNG  
MANUALE D'USO  
INSTRUKCJA UŻYTKOWANIA

 **Breezy**<sup>®</sup>

000690915



### Wheelchair Components

EN



We at SUNRISE MEDICAL have been awarded the ISO-9001 certificate, which affirms the quality of our products at every stage, from R & D to production. This products meet the requirements in accordance with EC guidelines. Options or accessories shown are available at extra cost.

### Rollstuhlkomponenten

DE



SUNRISE MEDICAL ist nach ISO 9001 zertifiziert und garantiert damit die Qualität unserer Produkte bei allen Entwicklungs- und Produktionsstufen dieses Rollstuhls. Dieses Produkt erfüllt die Anforderungen gemäß der EU-Richtlinien. Hier abgebildete Optionen oder Zubehörteile sind gegen Aufpreis erhältlich.

### Componenti della carrozzina

IT



Sunrise Medical ha ottenuto la certificazione ISO-9001, che ribadisce la qualità dei suoi prodotti in ogni fase, dalla ricerca e sviluppo fino alla produzione.

Questo prodotto è conforme ai requisiti previsti dalle linee guida CE. Sono disponibili ulteriori opzioni ed accessori ad un costo aggiuntivo.

### Elementy wózka inwalidzkiego

PO



Firma SUNRISE MEDICAL uzyskała certyfikat ISO-9001 potwierdzający jakość produktów na wszystkich etapach, od badań i rozwoju do produkcji.

Produkty te spełniają wymagania zgodne z wytycznymi UE. Przedstawione elementy opcjonalne i akcesoria są dostępne za dodatkową opłatą.

**WHEELCHAIR:**

1. PUSH HANDLES
2. BACKREST UPHOLSTERY
3. SIDEGUARD
4. SEAT SLING
5. FOOTREST
6. CASTORS
7. FOOTPLATE
8. CASTOR FORK
9. FOLDING FRAME
10. WHEEL LOCKS
11. REAR WHEEL
12. ARM PAD

**ROLLSTUHL:**

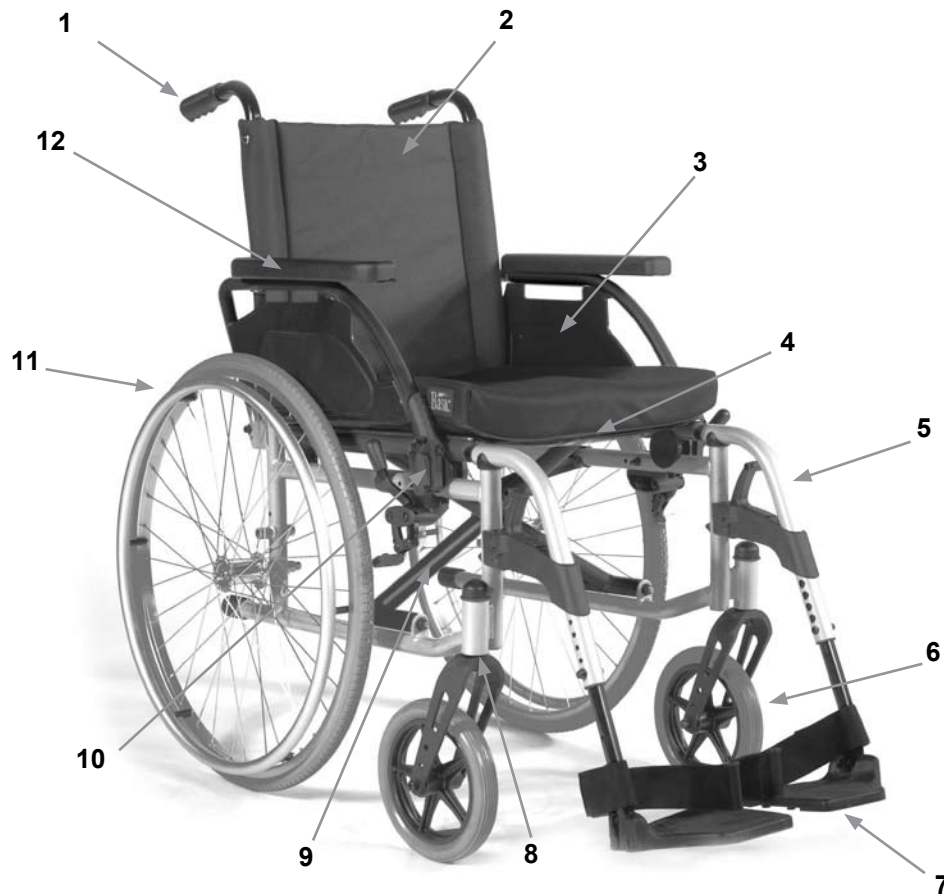
1. SCHIEBEGRIFFE
2. RÜCKENBESPANNUNG
3. SEITENTEIL
4. SITZBESPANNUNG
5. FUSSRASTE
6. LENKROLLEN
7. FUSSPLATTE
8. LENKRADGABEL
9. KREUZSTREBE
10. BREMSE
11. ANTRIEBSRAD
12. ARMAUFLAGE

**CARROZZINA:**

1. MANIGLIE DI SPINTA
2. TELO SCHIENALE
3. SPONDINA
4. TELO SEDUTA
5. PEDANA
6. RUOTE ANTERIORI
7. PIASTRA PIEDE
8. FORCELLA DELLA RUOTA ANTERIORE
9. TELAIO PIEGHEVOLE
10. FRENI
11. RUOTA POSTERIORE
12. IMBOTTITURA DEL BRACCIOLO

**WÓZKACH:**

1. RĄCZKI PROWADZĄCE
2. TAPICERKA OPARCIA
3. OSŁONA BOCZNA
4. TAPICERKA OPARCIA SIEDZISKA
5. PODNÓŻEK
6. KÓŁKA PRZEDNIE
7. PODESTU STOPA
8. WIDELEC
9. SKŁADANA RAMA
10. BŁOKADY KÓŁ
11. TYLNE KOŁO
12. PODŁOKIETNIK





	1090 ↑↓ 975		700 ↑↓ 580		970 ↑↓ 920		520 ↑↓ 360
	510 ↑↓ 470		420 ↑↓ 420		220 ↑↓ 220		535 ↑↓ 530
	420 ↑↓ 400		500 ↑↓ 380		1090 ↑↓ 975		310 ↑↓ 300
	850 ↑↓ 810		313 ↑↓ 183		+20 ↑↓ 0		MAX mm ↑↓ MIN mm
	10° ↑↓ 0°		10° ↑↓ 0°		10° ↑↓ 0°		MAX ↑↓ MIN
	3° ↑↓ 3°		80° ↑↓ 80°		115° ↑↓ 115°		MAX ↑↓ MIN
	13.4 ↑↓ 12.2		19.4 ↑↓ 18.0		125 ↑↓ ---		MAX kg ↑↓ MIN kg

## Foreword

Dear Customer,

We are very happy that you have decided in favour of a high-quality SUNRISE MEDICAL product.

This user's manual will provide numerous tips and ideas so that your new wheelchair can become a trustworthy and reliable partner in your life.

We want you to be satisfied with our products and service. Sunrise Medical has been consistently working at continuously developing its products, for this reason, changes can occur in our palette of products with regard to form, technology and equipment. Consequently, no claims can be construed from the data or pictures contained in this user's manual.

The management system of SUNRISE MEDICAL is certified to ISO 9001, ISO 13485 and ISO 14001.



As the manufacturer, **SUNRISE MEDICAL**, declares that the wheelchairs conform to the 93/42/EEC, amended by 2007/47/EC guideline.

Please contact your local, authorised SUNRISE MEDICAL dealer if you have any questions regarding the use, maintenance or safety of your wheelchair.

In case there is no authorised dealer in your area or you have any questions, contact Sunrise Medical either in writing or by telephone (contact addresses can be found on the back page).

Sunrise Medical Limited  
High Street Wollaston  
West Midlands DY8 4PS  
England  
Tel.: +44 (0) 1384446688  
www.sunrisemedical.com

Please keep a note of your local service agent's address and telephone number in the space below.  
In the event of a breakdown, contact them and try to give all relevant details so they can help you quickly.

## Symbol legend



### IMPORTANT:

DO NOT USE YOUR WHEELCHAIR UNTIL THIS MANUAL HAS BEEN READ AND UNDERSTOOD.



### DANGER!

Warning messages regarding possible risks of serious accident or death.



### WARNING!

Warning messages regarding possible risks of injury.



### CAUTION!

Warning messages regarding possible technical damage.

### NOTE:

Information for operating the product.

## Table of contents

<b>Wheelchair Components</b>	2
<b>Foreword</b>	5
<b>Symbol legend</b>	5
<b>Table of contents</b>	5
<b>Use</b>	5
<b>Area of application</b>	5
<b>General safety notes and driving restrictions</b>	6
<b>Warranty</b>	7
<b>Transportability</b>	8
<b>Handling</b>	10
<b>Options - Step Tubes</b>	10
<b>Options - Brakes</b>	10
<b>Options - Crutch Holder</b>	10
<b>Options - Footplates</b>	11
<b>Options - Castors</b>	11
<b>Options - Side Guard</b>	12
<b>Options - Back Rest</b>	12
<b>Options - Therapy Table</b>	12
<b>Options - Anti Tip Tubes</b>	12
<b>Options - Lap Belt</b>	12
<b>Name Plate</b>	13
<b>Tyres and Mounting</b>	14
<b>Daily Checks</b>	14
<b>Trouble Shooting</b>	14
<b>Maintenance and Care</b>	14
<b>Disposal / Recycling of Materials</b>	14
<b>Technical Data</b>	15
<b>Seat Height Adjustment</b>	15
<b>Torque</b>	15

## Use

Steel wheelchairs are exclusively for a user who is unable to walk, has limited limited mobility, for their own personal use in- and outdoor on dry, firm and level surface terrains (self propelling or attendant push).

The maximum weight limit (includes both the user and any weight of accessories fitted to the wheelchair) is marked on the serial number label, which is affixed to the crossbar or stabiliser bar below the seat.

Warranty can only be taken on if the product is used under the specified conditions and for the intended purposes.

The intended lifetime of the wheelchair is 5 years. DO NOT use or fit any 3rd party components to the wheelchair unless they are officially approved by Sunrise Medical.

## Area of application

The variety of fitting variants as well as the modular design mean that it can be used by those who cannot walk or have limited mobility because of:

- Paralysis
- Loss of extremity (leg amputation)
- Extremity defect deformity
- Joint contractures/joint injuries
- Illnesses such as heart and circulation deficiencies, disturbance of equilibrium or cachexia as well as for elderly people who still have strength in the upper body.

When considering provision, please also note the body size, weight, physical and psychological constitution, the age of the person, living conditions and environment.

## General safety notes and driving restrictions

The engineering and construction of this wheelchair has been designed to provide maximum safety. International safety standards currently in force have either been fulfilled or exceeded in parts. Nevertheless, users may put themselves at risk by improperly using their wheelchairs. For your own safety, the following rules must be strictly observed.

Unprofessional or erroneous changes or adjustments increase the risk of accident. As a wheelchair user, you are also part of the daily traffic on streets and pavements, just like anyone else. We would like to remind you that you are therefore also subject to any and all traffic laws.

Be careful during your first ride in this wheelchair. Get to know your wheelchair.

Before each use, the following should be checked:

- Fixed axles or Quick-release axles on the rear wheels.
- Velcro on seats and backrests
- Tyres, tyre pressure and wheel locks.

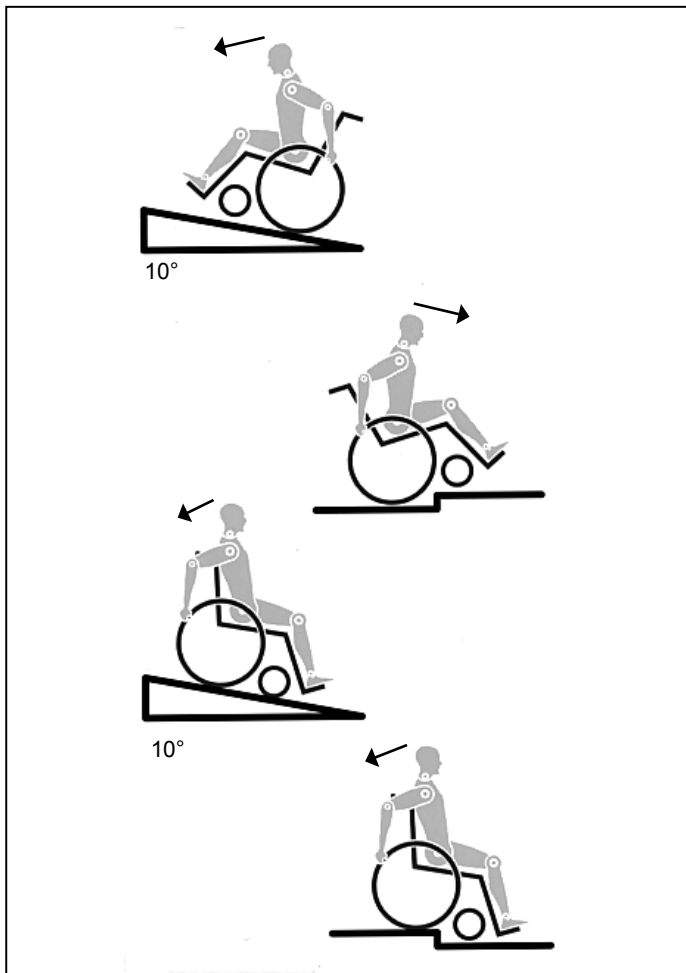
Before changing any of the adjustments of this wheelchair, it is important to read the corresponding section of the user's manual.

It is possible that potholes or uneven ground could cause this wheelchair to tip over, especially when riding uphill or downhill.

When riding forwards over a step or up an incline, the body should be leaning forward.

### DANGER!

- NEVER exceed the maximum load of 125 kg for user plus any items carried on the wheelchair. If you exceed the maximum load, this can lead to damage to the chair, or you may fall or tip over, lose control and may lead to serious injury of the user and other people.
- When it is dark, please wear light clothing or clothing with reflectors, so that you can be seen more easily. Make sure that the reflectors on the side and back of the wheelchair are clearly visible.
- We would also recommend that you fit an active light.



### DANGER!

- To avoid falls and dangerous situations, you should first practice using your new wheelchair on level ground with good visibility.
- When getting on or off the wheelchair, do not use the footboards.
- These should be flipped up beforehand and swung to the outside as far as possible. Always position yourself as close as possible to the place where you wish to transfer to.
- Only use your wheelchair with care. For example, avoid travelling against an obstacle without braking (step, kerb edge) or dropping down gaps.
- The wheel locks are not intended to stop your wheelchair in motion. They are only there to ensure that your wheelchair does not begin rolling unintentionally. When you stop on uneven ground, you should always use the wheel locks to prevent unintended movement. Always apply both wheel locks; otherwise, your wheelchair could tip over.
- Explore the effects of changing the centre of gravity on the behaviour of the wheelchair in use, for example on inclines, slopes, all gradients or when overcoming obstacles. Do this with the secure aid of a helper.
- With extreme settings (e.g. rear wheels in the most forward position) and less than perfect posture, the wheelchair may tip over even on a level surface.
- Lean your upper body further forward when going up slopes and steps.
- Lean your upper body further back when going down slopes and steps. Never try to climb and descend a slope diagonally.
- Avoid using an escalator which may lead to serious injury in the event of a fall.
- Do not use the wheelchair on slopes more than 10°. The Dynamic safe slope is dependant on the chair configuration, the users abilities and the style of riding. As the users abilities and style of riding cannot be predetermined then the max safe slope cannot be determined. Therefore this must be determined by the user with the assistance of an attendant to prevent tipping. It is strongly recommended that inexperienced users have Anti-tips fitted.
- It is possible that potholes or uneven ground could cause this wheelchair to tip over, especially when riding uphill or downhill.
- Do not use your wheelchair on muddy or icy ground.
- Do not use your wheelchair where pedestrians are not allowed.
- To avoid hand injuries do not grab in between the spokes or between the rear wheel and wheel lock when driving the wheelchair.
- In particular when using lightweight metal handdrims, fingers will easily become hot when braking from a high speed or on long inclines.
- Only attempt stairs with the help of an attendant. There is equipment available to help you, e.g. climbing ramps or lifts, please use them. If there is no such equipment available, then the wheelchair must be tipped and pushed, never carried, over the steps (2 helpers). We recommend that users over 100 kg in weight are not transferred in this way. In general, any anti-tip tubes fitted must be set beforehand, so that they cannot touch the steps, as otherwise this could lead to a serious tumble. Afterwards the anti-tip tubes must be set back to their correct position.
- Make sure that the attendant only holds the wheelchair using securely mounted parts. Do not use removable parts (e.g. not on the footrests or the side guards).

**⚠ DANGER!**

- When using the lifting ramp make sure that the anti-tip tubes fitted are positioned outside the danger area.
- Secure your wheelchair on uneven ground or when transferring, e.g. into a car, by using the brakes.
- If and whenever possible, during a journey in a specially fitted vehicle for disabled people, vehicle occupants should use the seats in the vehicle and the appropriate restraint system. This is the only way to ensure that occupants will have the maximum protection if there is an accident.
- Depending on the diameter and setting of the castors, as well as the centre of gravity setting of the wheelchair, the castors may begin to wobble at high speeds. This can lead to castor seizure and the wheelchair may tip over. Therefore, please make sure that the castors are adjusted correctly (see the Chapter "Castors").
- In particular, do not travel on an incline without brakes, travel at a reduced speed. We recommend that novice users use anti-tip tubes.
- Anti-tip tubes should prevent the chair tipping over backwards unintentionally. Under no circumstances should they take the place of transit wheels, and be used to transport a person in a wheelchair with the rear wheels removed.
- When reaching for objects (which are in front of, to the side or behind the wheelchair) make sure that you do not lean too far out of the wheelchair, as if you change the centre of gravity there is a risk of tipping or rolling over. The hanging of additional load (back pack or similar items) onto your chair back posts can affect the rearward stability of your chair, especially when used in combination with recliner backrests. This can cause the chair to tip backwards causing injury.
- For thigh amputees you must use anti-tip tubes.
- Before setting off, check that your tyre pressure is correct. For rear wheels it should be at least 3.5 bar ( 350 kPa). The max. pressure is indicated on the tyre. The knee-lever brakes will only work if there is sufficient tyre pressure and if the correct setting has been made (see the Chapter on "Brakes").
- If the seat and back sling are damaged, you must replace them immediately.
- Be careful with fire, in particular with burning cigarettes. Seat and back slings can be set alight.
- If the wheelchair is subject to direct sunlight / cold temperature for a long period of time, then parts of the wheelchair (e.g. frame, legrests, brakes and side guard) may become hot (>41°C) / very cold (<0°).
- Always make sure that, if fitted, the quick-release axles on the rear wheels are set properly and lock in (locking ball bearings are showing completely through the axle sleeve). If the button on the quick-release axle is not pressed in, the rear wheel cannot be removed.

**⚠ CAUTION !**

- The effect of the knee-lever brake as well as the general driving characteristics are dependant on tyre pressure. The wheelchair is significantly lighter and easier to manoeuvre when the rear wheels are pumped up correctly and both wheels have the same pressure.
- Make sure that your tyres have sufficient tread!
- Please note that you are subject to any and all traffic laws when driving in public traffic.
- Always be careful when handling or adjusting the wheelchair!
- Adjustments which require tools should always be done by authorized dealers.
- Clean the wheelchair regularly to avoid rust and salt corrosion.
- Check the rivets, nuts and bolts to make sure they are tight and that no wheelchair parts will come loose.

**⚠ CAUTION !**

- With all moving parts there is a natural risk of finger traps. Please handle with care.
- The products shown and described in this manual may not be exactly the same in every detail as your own model. However, all instructions are still entirely relevant, irrespective of detail differences.
- The manufacturer reserves the right to alter without notice any weights, measurements or other technical data shown in this manual. All figures, measurements and capacities shown in this manual are approximate and do not constitute specifications.

**LIFETIME**

The expected lifetime of this product is 5 years provided that: it is used in strict accordance with the intended use all service and maintenance requirements are met.

**Warranty****Guarantee**

**THIS IN NO WAY AFFECTS YOUR STATUTORY RIGHTS.**

**Warranty conditions**

1) The repair or replacement must be carried out by an authorised Sunrise Medical dealer/service agent.

2) To apply the warranty conditions, should your product require attention under these arrangements, notify the designated Sunrise Medical service agent immediately giving full information about the nature of the difficulty. Should you be operating the product away from the locality of the designated Sunrise Medical service agent work under the "Warranty Conditions" will be carried out by any other service agent designated by the manufacturer.

3) Should any part of the wheelchair require repair or replacement, as a result of a specific manufacturing or material defect, within 24 months, (5 years for frame and cross bar), from the date on which the possession of the product was transferred to the original purchaser, and subject to it remaining within that ownership, the part or parts will be repaired or replaced completely free of charge if returned to the authorised service agent.

Note: This guarantee is not transferable.

4) Any repaired or replaced part will benefit from these arrangements for the balance of the warranty period applicable to the wheelchair.

5) Parts replaced after the original warranty has expired are covered for a further 12 months.

6) Items of a consumable nature will not generally be covered during the normal warranty period, unless such items have clearly suffered undue wear as a direct result of an original manufacturing defect. These items include amongst others upholstery, tyres, inner tubes, and similar parts.

7) The above warranty conditions apply to all product parts for models purchased at full retail price.

8) Under normal circumstances, no responsibility will be accepted where the product has required repair or replacement as a direct result of:

- a) The product or part not having been maintained or serviced in accordance with the manufacturer's recommendations, as stated in the Owner's Manual and / or Service Manual. Failing to use only the specified original equipment parts.
- b) The product or part having been damaged by neglect, accident or improper use.
- c) The product or part having been altered from the manufacturer's specifications, or repairs having been attempted prior to the service agent being notified.
- d) If the product has corrosion due to incorrect maintenance

## Transportability

### DANGER!

There is a risk of serious injury or death if this advice is ignored!

### TRANSPORTATION OF YOUR WHEELCHAIR WITHIN A VEHICLE:

A wheelchair secured in a vehicle will not provide the equivalent level of safety and security as a vehicle seating system. It is always recommended that the user transfers to the vehicle seating. It is recognised that this is not always practical for the user to be transferred and in these circumstances, where the user must be transported whilst in the wheelchair, the following advice must be followed:

1. Confirm that the vehicle is suitably equipped to transport a passenger in a wheelchair, and ensure the method of access/egress is suitable for your wheelchair type. The vehicle should have the floor strength to take the combined weight of the user, the wheelchair and accessories.
2. Sufficient space should be available around the wheelchair to enable clear access to attach, tighten and release the wheelchair and occupant tie down restraints and safety belts.
3. The occupied wheelchair must be located in a forward facing position and secured by the wheelchair tie down and occupant restraint straps (WTORS tie downs meeting the requirements of ISO 10542 or SAE J2249) in accordance with the WTORS manufacturer's instructions.
4. The wheelchair's use in other positions within a vehicle has not been tested e.g. transportation in a side facing position must not be carried out under any circumstances (Fig. A).
5. The wheelchair should be secured by a Tie Down Restraint system, conforming to ISO 10542 or SAE J2249 with non-adjustable front straps and adjustable rear straps, which typically use Karabiner clips/S hooks and tongue and buckle fittings. These restraints generally comprise of 4 individual straps that are attached to each corner of the wheelchair.
6. The tie-down restraints should be fitted to the main frame of the wheelchair as indicated in the diagram on the following page, and not to any attachments or accessories, e.g. not around the spokes of wheels, brakes or footrests.

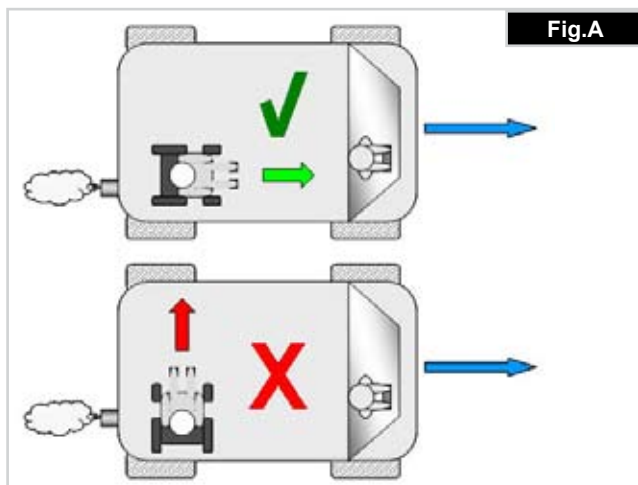


Fig.A

7. The tie-down restraints should be attached as close as possible at an angle of 45 degrees and tightened securely in accordance with the manufacturer's instructions.

8. Alterations or substitutions must not be made to the wheelchair securement points or to structural and frame or components without consulting the manufacturer. Failure to do so will invalidate the ability of a Sunrise Medical wheelchair to be transported within a vehicle.

9. Both pelvic and upper torso restraint belts must be used to restrain the occupant to reduce the possibility of head and chest impacts with the vehicle components and serious risk of injury to the user and other vehicle occupants. (Fig B) The upper torso restraint belt should be mounted to the vehicle "B" pillar - failure to do so will increase the risk of serious abdominal injuries to the user.

10. A head restraint suitable for transportation (see label on headrest) must be fitted and suitably positioned at all times during transportation.

11. Postural supports (lap straps, lap belts) should not be used or relied on for occupant restraint in a moving vehicle unless they are labelled as meeting the requirements specified in ISO 7176-19:2001 or SAE J2249.

12. The safety of the user during transportation depends upon the diligence of the person securing the tie-down restraints and they should have received appropriate instructions and/or training in their use.

13. Wherever possible remove and stow safely away from the wheelchair all auxiliary equipment, for example: Crutches, Loose cushions and Tray Tables.

14. Articulating/elevating leg rest should not be used in the elevated position when the wheelchair and user are being transported and the wheelchair is restrained using Wheelchair Transport and Occupant Restraints.

15. Reclining backrests should be returned to an upright position.

16. The manual brakes must be firmly applied.

17. Restraints should be mounted to the vehicle "B" pillar and should not be held away from the body by wheelchair components such as armrest or wheels.

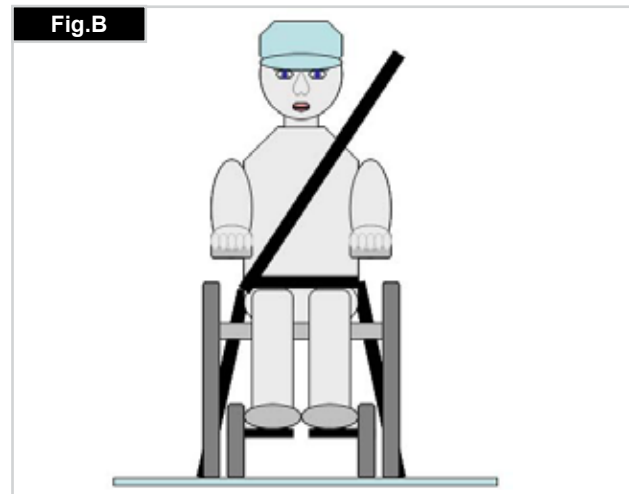


Fig.B



**OCCUPANT RESTRAINTS INSTRUCTION:**

1. The pelvic restraint belt must be worn low across the front of the pelvis so that the angle of the pelvic belt is within the preferred zone of 30 to 75 degrees to the horizontal.

A steeper (greater) angle within the preferred zone is desirable i.e. closer to, but never exceeding 75degrees. (Fig C)

2. The upper torso restraint belt must fit over the shoulder and across the chest as illustrated Fig d and e  
 Restraint belts must be adjusted as tightly as possible consistent with user comfort.

Restraint belt webbing must not be twisted when in use.

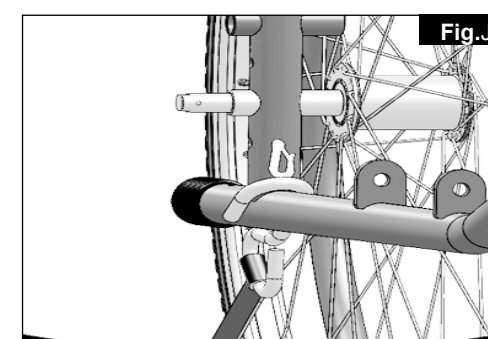
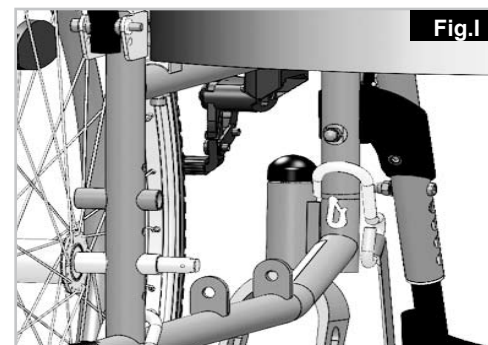
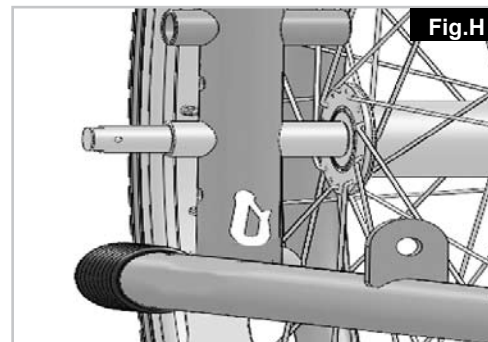
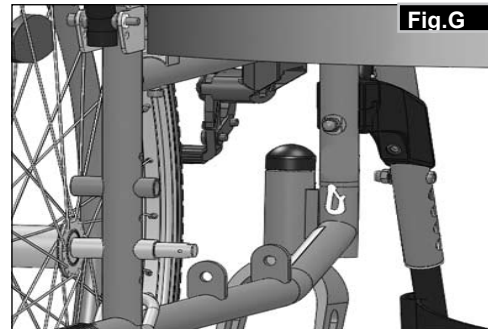
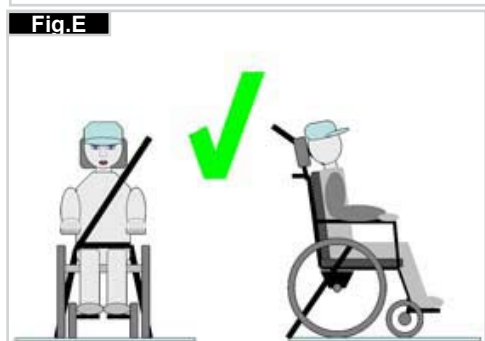
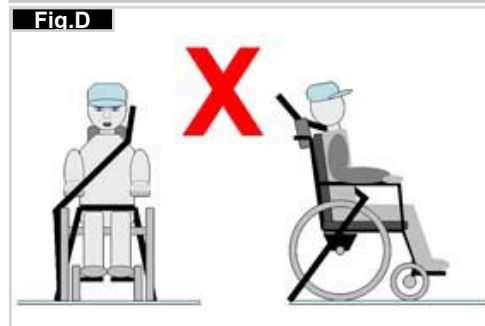
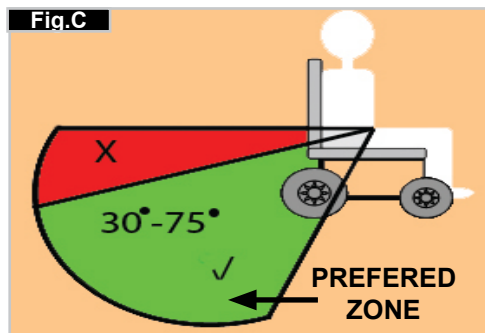
The upper torso restraint belt must fit over the shoulder and across the shoulder as illustrated in Fig D and E.

3. The attachment points to the chair are the inner front side frame just above the castor, and the rear side frame. The straps are fitted around the side frames at the intersection of the horizontal and vertical frame tubes. (See Figs G - K)

4. The tie down symbol (Fig F) on the wheelchair frame indicates the position of the wheelchair restraint straps. The straps are then tensioned after the front straps have been fitted to secure the wheelchair.

Positioning of wheelchair tie down restraints on wheelchair:

1. Location of the front and rear tie down labels (Fig.G - H).
2. Position of the front, (Fig.I) and rear, (Fig.J), wheelchair tie down restraint and the tie down label.
3. Side view of tie down straps, (Fig.K).



## Handling

### FOLDING UP

First remove the seat cushion and the back seat shell from the wheelchair and flip up the (platform) footplate or the individual footrests. Take hold of the sling or the seat tubes in the middle, from the back and pull upwards. The wheelchair will then fold up. To fold your wheelchair so that it is as small as possible, e.g., to put into a car, you can remove the footrests (depending on the model). For this purpose, open the latch from the outside and swing the footrest to the side. Then the footrest only has to be drawn out of the receiver tube (Fig. 1).



### UNFOLDING

Press down on the seat tube (see figure). Your wheelchair is then unfolded. Now snap the seat tubing into position in the seat saddle. This can be facilitated by slightly tipping your wheelchair, as this means that the weight is taken off one of the rear wheels. **Be careful not to get your fingers caught in the cross-tube assembly.** Refit the seat cushion! (Fig. 2).

### Quick-release axles on rear wheel

The rear wheels are equipped with quick-release axles. The wheels can thus be fitted or removed without using tools. To remove a wheel, simply depress the quick-release button on the axle (1) and pull the wheel off the axle (Fig. 3).



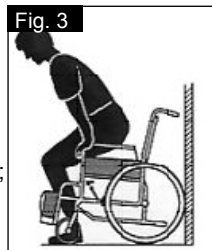
### CAUTION:

**Hold the quick-release button on the axle depressed when inserting**

**the axle into the frame to mount the rear wheels. Release the button to lock the wheel in place. The quick-release button should snap back to its original position.**

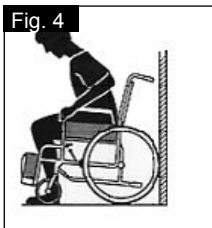
### GETTING INTO YOUR WHEELCHAIR INDEPENDENTLY (FIG. 3)

- The wheelchair should be pushed up against a wall or solid piece of furniture;
- The brakes should be on;
- The footplates should be hinged up;
- The user can then lower himself into the chair;
- The footplates should then be pushed down and the feet rested on them in front of the heel loops.



### GETTING OUT OF YOUR WHEELCHAIR INDEPENDENTLY (FIG. 4)

- The brakes should be on;
- The hinged footplates should be hinged up;
- With one hand on each armrest, the person should bend slightly forward to bring the body weight to the front of the seat, and with both feet firmly on the ground, one foot well back, push up into the upright position.



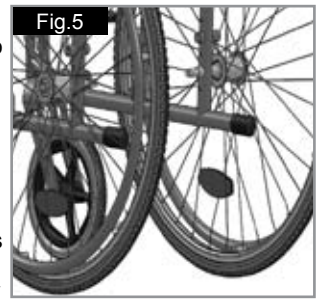
### WARNING!

When standing, do not stand on the footplates or the wheelchair will tip up. It is easier and safer to get into your wheelchair if you turn the footplates up and out of the way or take them off the wheelchair.

## Options - Step Tubes

### STEP TUBES (FIG.5)

Step tubes are used by attendants to tip a wheelchair over an obstacle. Simply step on the tube to push a wheelchair, for example, over a kerb or step.

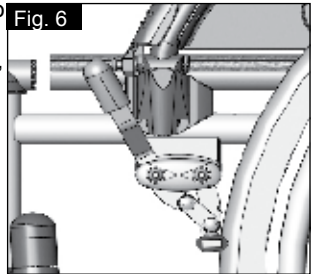


**NOTE:** Sunrise Medical strongly recommends the use of a step tube on any model where attendant use is the predominant intended use. Damage to the backposts may occur if you constantly use the backpost without a step tube, as a lever to pull back on to tip the wheelchair, in order to overcome obstacles.

## Options - Brakes

### WHEEL LOCKS

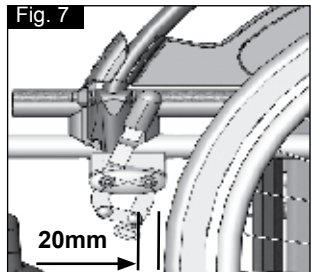
Your wheelchair is equipped with two wheel locks. They are applied directly against the tyres. To engage, press both brake levers forward against the stops. To release the locks, pull the levers back to their original positions.



Braking power will decrease with:

- Worn tyre tread
- Tyre pressure that is too low
- Wet tyres
- Improperly adjusted wheel locks

The wheel locks have not been designed to be used as brakes for a moving wheelchair. The wheel locks should therefore never be used to brake a moving wheelchair. Always use the hand-rims for braking. Make sure that the gap between the tyres and wheel locks complies with given specifications. To readjust, loosen the screw and set the appropriate gap. Then re-tighten the screw (Fig. 6 + 7).



### CAUTION!

After each adjustment of the rear wheels, check the wheel lock gap and re-adjust if necessary.

### CAUTION!

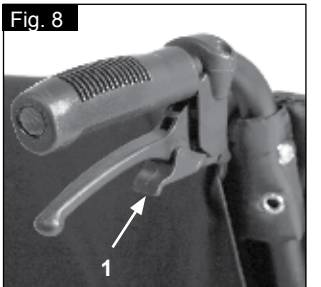
**Mounting the wheel lock too close towards the wheel will result in a higher effort to operate. This might cause the brake lever to break!**

### CAUTION!

**Leaning onto the brake lever while transferring will cause the lever to break! Splashing water from tyres might cause the wheel lock to malfunction..**

### DRUM BRAKES

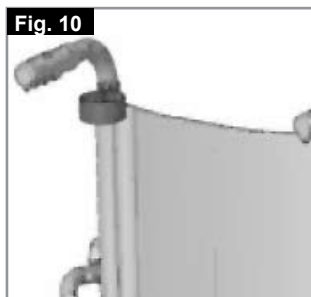
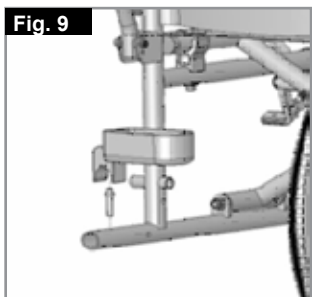
Drum brakes permit safe and convenient braking for an attendant. They can also be set with the aid of a locking lever (1) to prevent rolling. The lever must snap audibly into place. Drum brakes are not influenced by air pressure inside the tyres. Your wheelchair cannot be moved when the drum brakes are set (Fig.8).



### CAUTION!

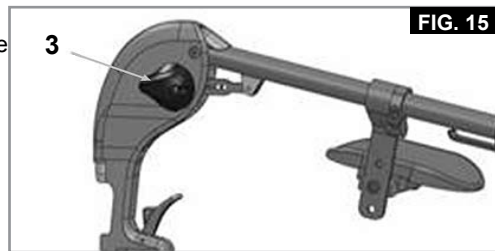
Drum brakes must only be adjusted by authorised dealers.

**Options - Crutch Holder**



**ANGLE ADJUSTMENT:**

Press the lever (3) downward with one hand while supporting the legrest with the other hand to take the load off. When a suitable angle is achieved, let go of the lever and the legrest will lock into one of the preset positions.



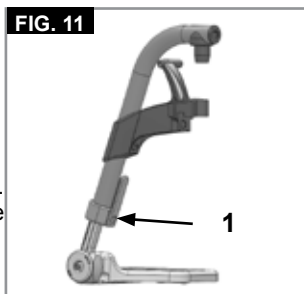
**Options - Footplates**

**FOOTPLATES:**

The footplates can be flipped up to make it easier to transfer to/from the chair. Each assembly weighs 1.0kg

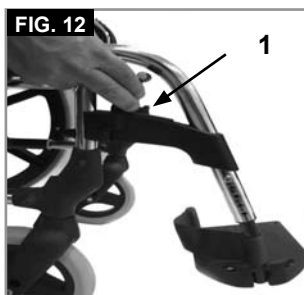
**LOWER LEG LENGTH:**

For users with longer legs, the leg support can be lowered to the appropriate level by using the screws (1). Loosen the screws, push the tubes to the desired position and then re-tighten the screws (see section on torque). There must always be a minimum gap of 2.5 cm between the footplates and the ground, (Fig.11).



**FOOTRESTS AND LATCH**

The legrests can be swung inwards under the seat sling or outwards. When fitting the legrests, the footrests must be pointing inwards or outwards. Then rotate the legrest inwards, until it locks into place. To remove, pull the lever (1), swing the footplate inwards or outwards and then lift the legrest out. Make sure that the legrest is locked into place correctly, (Fig.12).

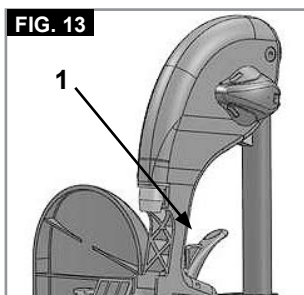


**CAUTION!**

- The legrests must not be used to lift or to carry the wheelchair.
- When getting on or off the wheelchair, do not use the footboards. These should be flipped up beforehand or the footrest should be swung to the outside as far as possible.

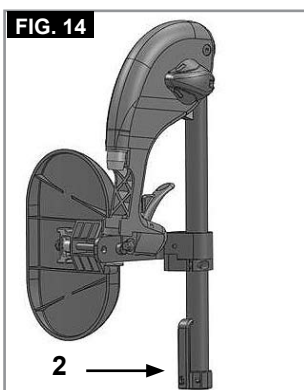
**OPTION ELEVATING LEGREST**

(Fig 13-15)  
To remove, pull the lever (1), swing the footplate outwards and then lift the legrest out.



**HEIGHT ADJUSTMENT:**

The lower leg length can be adjusted infinitely by releasing the screw (2). Adjust the suitable height and tighten the screw again.

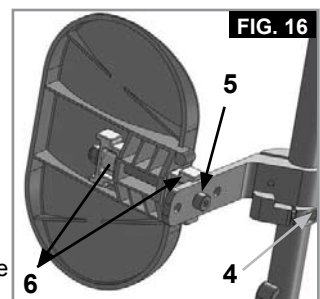


**CAUTION!**

The distance between the footplate and the ground must be at least 40 mm.

**ADJUSTING THE CALF PAD**

(Fig 16).  
The calf pad can be adjusted as follows:  
Height: Open bolt (4) and move the clamping piece to the desired position. By rotating the clamping piece also the angle can be adjusted.  
Depth: Open bolt (5) and move the calf pad into the desired position.  
Width: Open bolt (5) and position the spacers (6) behind the pad, to get the desired position.

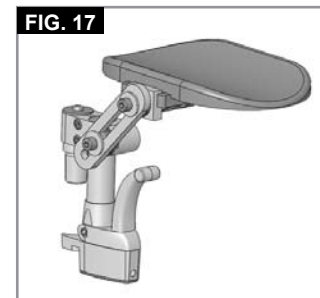


**WARNING!**

- Keep hands clear of the adjustable mechanism between the frame and the movable parts of the foot rest, while elevating or lowering the footrest.
- Always make sure that the fasteners are secure.
- The foot rests must not be used to lift or to carry the wheelchair.
- Risk of trapping fingers! When moving the foot rest up or down, do not put your fingers in the adjusting mechanism between the moving parts of the foot rest.

**AMPUTEE SUPPORT**

(Fig.17).  
The Amputee Support can be adjusted in every direction as required.



**Options - Castors**

**CASTORS, CASTOR PLATES, FORKS**

The wheelchair may veer slightly to the right or left, or the castors may wobble. This may be caused by the following:

- Forward and/or reverse wheel motion has not been set properly.
- The castor angle has not been set correctly.
- Castor and/or rear wheel air pressure is incorrect; the wheels do not turn smoothly.

The wheelchair will not move in a straight line if the castors have not been properly adjusted. Castors should always be adjusted by an authorised dealer. The wheel locks must be checked every time the rear wheel position has been altered. The seat height is determined by the castor and rear wheel position. The seat height can be adjusted by altering the position of the rear wheels and the castors

**CAUTION!**

After adjusting the seat height, all screws must be re-tightened and the wheel lock must be readjusted. The castors must be set at 90°

**Options - Side Guard**

**STANDARD SIDE GUARDS, FLIP-UP, WITH SHORT OR LONG ARMRESTS**

The side guard with rounded off front edges will allow you to get up close to a table.

To flip the armrest up, push the lever (1), so that the side guard is released (Fig. 18).

The length of the armrest can be adjusted by releasing the screws (2), then move the armrest to the desired position and re-tighten the screws (Fig. 19).



**WARNING!**

Neither the side guards nor the armrests are to be used for lifting or carrying the wheelchair.

**SIDEGUARD, FLIP-UP, REMOVABLE WITH SHORT OR LONG ARMRESTS, HEIGHT-ADJUSTABLE**

The armrest can be height-adjusted as follows.

Push the lever downwards and move the armrest to the desired height (3).

Release the lever and press the armrest downwards until you hear it click into place. Always check that the sideguards are correctly in place.

To flip the armrest up, push the lever (1) so that the sideguard is released. You can adjust the length of the armrest by releasing the screws (2) push the armrest to the desired position and then re-tighten the screws (Fig. 20).



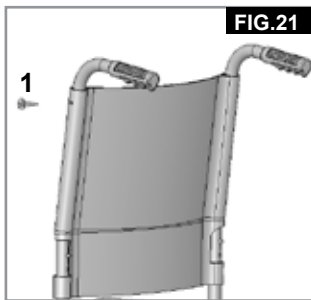
**WARNING!**

Neither the sideguards nor the armrests are to be used for lifting or carrying the wheelchair.

**Options - Back Rest**

**HEIGHT-ADJUSTABLE BACKREST**

The height of the backrest can be set to 2 different positions (41 cm and 42.5 cm). Release and remove the bolts (1), and push the backrest sling to the desired position. Tighten up the bolts again (Fig. 21).



**Options - Therapy Table**

**THERAPY TABLE**

The tray provides a flat surface for most activities. Before using a tray, it first has to be adjusted to the width of the seat by an authorised dealer. The user must be sitting in the wheelchair during this adjustment (Fig. 22).



**Options - Anti Tip Tubes**

**ANTI-TIP TUBES**

Anti-tip tubes provide additional safety for inexperienced users when they are still learning how to operate their wheelchair. They prevent a wheelchair from tipping over backwards.



By pushing on the release button (1), the safety wheels can be set upwards or removed. There must always be a gap of between 3 cm and 5 cm between the tube and the ground.

You must swing the safety wheels upwards when going up and down large obstacles (such as a kerb) to prevent them from touching the ground. Then rotate the safety wheels back down to the normal position (Fig. 23).

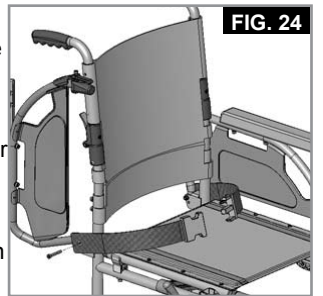
**WARNING!**

Incorrect setup of the anti-tips will increase the risk of a rearwards tip.

**Options - Lap Belt**

**WARNING!**

Before using your wheelchair ensure the seat belt is worn and correctly adjusted before use.



The lap belt is fitted to the wheelchair as shown in the illustrations. The seat belt comprises 2 halves. They are fitted using the existing arm rest fixing bolt fitted through the eyelet on the belt.

The belt is routed under the rear of the side panel. Adjust the belt position so buckles are in the centre of the seat. (Fig.24-25)



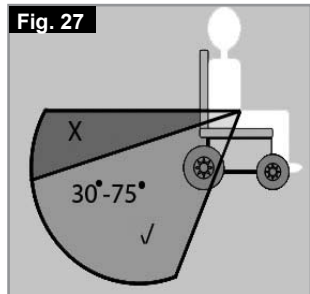
Adjust lap belt to suit the user's needs as follows:

To increase the belt length	To reduce the belt length	✓
Type B	Type B	Type B
Feed free belt through slide adjusters and male buckle to provide more belt length.	Feed free belt back through male buckle and slide adjusters.	Ensure belt is not looped at male buckle.

**Options - Lap Belt>>>**

When fastened check space between the lap belt and user, when correctly adjusted it should not be possible to insert more than the flat of the hand between the lap belt and the user. (Fig. 26)

Generally the Lap Belt should be fixed so that the straps sit at an angle of approximately 45°, and when correctly adjusted should not allow user to slip down in the seat. (Fig. 27)



<b>To fasten buckle:</b> Firmly push male buckle into female buckle.	<b>To release belt:</b> Press exposed sides of male buckle and push towards centre / push the press button of the female buckle whilst gently pulling apart.

**ADVICE TO CLIENT**



- Do not rely on the lap belt only when the wheelchair and occupant are transported in a vehicle, use the separate occupant lap and diagonal restraints provided in the vehicle.
- Before use we recommend that the lap belt be checked to ensure that it is adjusted correctly, free from any obstruction or adverse wear and that the buckle engages securely.
- Failure to make sure that the lap belt is secure and adjusted prior to use could cause serious injury to the user. e.g. too loose a strap may allow the user to slip down in the chair and risk suffocation.

**MAINTENANCE:**

Check lap belt and securing components at regular intervals for any sign of fraying or damage. Replace if necessary. Clean the lap belt with warm soapy water and allow it to dry.

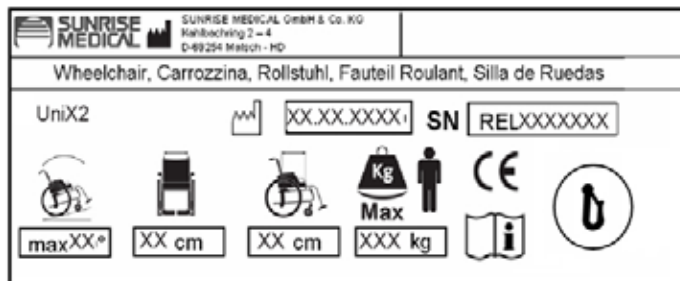


The lap belt should be adjusted to suit the end user as detailed above Sunrise Medical also recommend that the length and fit of the belt is checked on a regular basis to reduce the risk of the end user inadvertently re-adjusting the belt to an excessive length. If in doubt about the use and operation of the seat belt then ask your health care professional, wheelchair dealer, carer or attendant for assistance.

**Name Plate**

**NAMEPLATES**

The nameplate is located on either the cross-tube assembly or the transverse frame tube, as well as on a label in the owner's manual. The nameplate indicates the exact model designation and other technical specifications. Please provide the following pieces of information whenever you have to order replacement parts or to file a claim:



	Product Name/SKU Number.
	Maximum safe slope with anti-tips fitted, Depends on wheelchair setting, posture and physical capabilities of the user.
	Seat width.
	Depth (maximum).
	Load Maximum.
	CE Mark
	User's Guide.
	Crash Tested
	Date of manufacture.
	Serial number.

Due to our policy of continuous improvement in the design of our wheelchairs, product specifications may vary slightly from the examples illustrated. All weight/dimensions and performance data are approximate and provided solely for guidance. Sunrise Medical complies with the EU Medical Devices Directive 93/42/EEC

**CE** All wheelchairs must be used in accordance with the manufacturer's guidelines.

Sunrise Medical GmbH & Co.KG  
Kahlbachring 2-4  
69254 Malsch/Heidelberg  
Germany  
Tel.: +49 (0) 7253/980-0  
Fax: +49 (0) 7253/980-111  
www.sunrisemedical.com

## Tyres and Mounting

### TYRES AND MOUNTING

Solid tyres are fitted as standard from the factory.

If pneumatic tyres are used, make sure that you maintain the correct tyre pressure, as this can have an effect on wheelchair performance. If the tyre pressure is too low, rolling resistance will increase, requiring more effort to move the chair forward. Low tyre pressure also has a negative impact on manoeuvrability. If the tyre pressure is too high, the tyre could burst. The correct pressure for a given tyre is printed on the surface of the tyre itself.

Tyres can be mounted the same way as an ordinary bicycle tyre. Before installing a new inner tube, you should always make sure that the base of the rim and the interior of the tyre are free of foreign objects. Check the pressure after mounting or repairing a tyre. It is critical to your safety and to the wheelchair's performance that regulation air pressure be maintained and that tyres be in good condition.

### Daily Checks



#### CAUTION!

As the user, you are the first person to notice any possible defects. We therefore recommend that before each use, you check the items in the following list:

- Check for correct tyre pressures
  - Check that the brakes work correctly
  - Check that all removable parts are secure, e.g. armrest, footrest, quick-release axle etc.
  - Check for visible damage e.g. on the frame, backrest, seat sling and back sling, wheels, footplate etc
- If there is any damage or malfunction, please contact your authorised dealer.

### Trouble Shooting

#### Wheelchair pulls to one side

- Check tyre pressure (pneumatic tyres only).
- Check to make sure wheel turns easily (bearings, axle).
- Check the castors are set consistently and make proper contact with the ground.
- Ensure castor fork bearings rotate freely.

#### Castors begin to wobble

- Check to make sure all bolts are secure; tighten if necessary (see the section on torque).
- Check to make sure both castors are making proper contact with the ground.

#### Wheelchair squeaks and rattles

- Check to make sure all bolts are secure; tighten if necessary (see the section on torque).
- Apply small amount of lubrication to spots where movable parts come in contact with one another.

#### Wheelchair begins to wobble

- Check angle at which castors are set.
- Check all tyres for damage or wear.
- Check to see if rear wheels are adjusted or fixed unevenly.

## Maintenance and Care

### MAINTENANCE

- Check the tyre pressure every 4 weeks. Check all tyres for wear and damage.
- Check the brakes approximately every 4 weeks to make sure that they are working properly and are easy to use.
- Change tyres as you would an ordinary bicycle tyre.
- All of the joints that are critical to using your wheelchair safely are self-locking nuts. Please check every three months to make sure that all bolts are secure (see the section on torque). Safety nuts should only be used once and should be replaced after use.

- Please use only mild household cleansers when your wheelchair is dirty. Use only soap and water when cleaning the seat upholstery and lap belt.
- If your wheelchair should ever get wet, please dry it after use, to avoid rust and salt corrosion.
- A small amount of sewing-machine oil should be applied to quick release axles approximately every 8 weeks. Depending on the frequency and type of use, we recommend taking your wheelchair to your authorised dealer every 6 months to have it inspected by trained personnel.



#### CAUTION!

Sand and sea water (or salt in the winter) can damage the bearings of the front and rear wheels. Clean the wheelchair thoroughly after exposure.

The following parts can be removed and sent to the manufacturer / dealer for repair:

Rear wheels, Armrest, Hanger, Anti – tips. These components are available as spares. More details can be found in the parts manual.

### HYGIENE WHEN BEING REUSED:

When the chair is to be reused, it should be prepared carefully, and wiped and treated with spray disinfectant on all surfaces which could come into contact with the user.

In doing this, you must use a liquid for alcoholic quick disinfection for medical products and medical inventory when you require a quick effect. Please pay attention to the manufacturer's instructions of the disinfectant you are using.

In general, a safe disinfectant cannot be guaranteed on seams. We therefore recommend, that you properly dispose of seat and back slings in the case of micro bacterial contamination with active agents according to § 6 infection protection law.

### STORAGE

Please store/keep the wheelchair in a dry place.

## Disposal / Recycling of Materials

**NOTE:** If the wheelchair has been supplied to you free of charge it may not belong to you. If it is no longer required follow any instructions given by the organisation issuing the wheelchair in order that it may be returned to them.

The following information describes the materials used in the wheelchair in relation to the disposal or re-cycling of the wheelchair and its packaging. Specific waste disposal or recycling regulations may be in force locally and these should be taken into consideration when disposal arrangements are made. (This may include the cleaning or decontamination of the wheelchair before disposal).

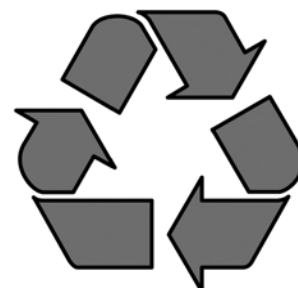
**Steel:** Fasteners, QR axle, side frames, armrests, frame, leg rests, push handles.

**Plastic:** Handgrips, castor forks, tube plugs, castor wheels, footplates, armpads and 12" wheel/tyre, wheels, side guards.

**Packaging:** Low density polythene bag, cardboard box.

**Upholstery:** Woven polyester with PVC coatings and expanded combustion modified foam.

Disposal or recycling should be done through a licensed agent or authorised place of disposal. Alternatively your wheelchair may be returned to your dealer for disposal.



**Technical Data**

**MAXIMUM LOAD: 125 KG**

**ALSO SEE PAGE 4**

In Accordance with EN12183: 2009 all there listed parts (seat - back upholstery, arm pad, side panel...) are fire resistant as per EN1021-2 .

The Dynamic safe slope is dependant on the chair configuration, the users abilities and the style of riding. As the users abilities and style of riding cannot be predetermined then the max safe slope cannot be determined. Therefore this must be determined by the user with the assistance of an attendant to prevent tipping. It is strongly recommended that inexperienced users have Ant-tips fitted.

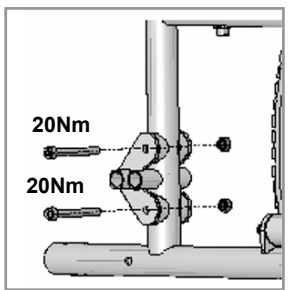
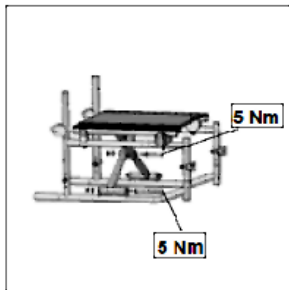
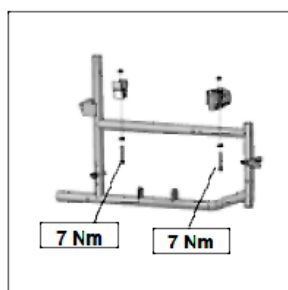
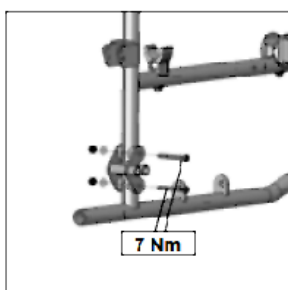
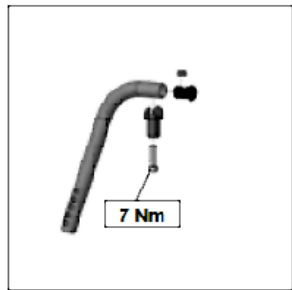
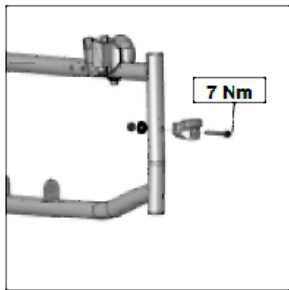
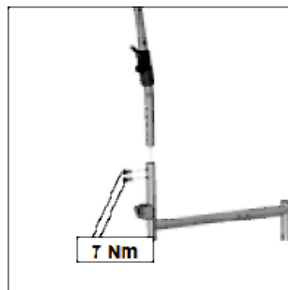
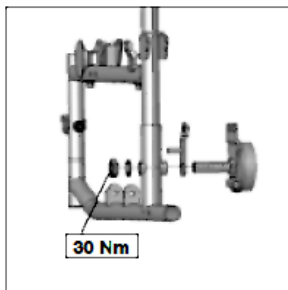
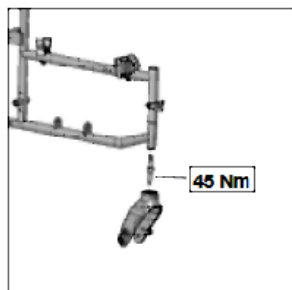
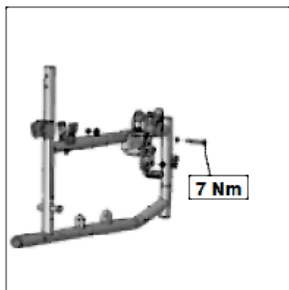
The wheelchair conforms to the following standards:

- a) Requirements and test methods for static, impact and fatigue strengths (ISO 7176-8)
- b) Requirements for resistance to ignition in accordance with ISO 7176-16 (EN 1021-1)

**Seat Height Adjustment**

<b>470mm</b>	<b>8"</b>	<b>1</b>	<b>24"</b>	<b>A</b>
<b>510mm</b>	<b>8"</b>	<b>3</b>	<b>24"</b>	<b>B</b>

**Torque**



**Vorwort****SEHR GEEHRTER KUNDE,**

Wir freuen uns sehr, dass Sie ein Spitzenqualitätsprodukt von SUNRISE MEDICAL gewählt haben.

Dieses Handbuch vermittelt Ihnen zahlreiche Tipps und Ideen, damit Ihr neuer Rollstuhl ein vertrauter und zuverlässiger Partner im Leben werden kann.

Wir möchten, dass Sie mit unseren Produkten und unserem Service zufrieden sind. Sunrise Medical arbeitet daher ständig an der Weiterentwicklung seiner Produkte. Aus diesem Grund können in unserer Produktreihe Änderungen in der Form, Technologie und Ausstattung vorkommen. Es können also aus den Angaben und Abbildungen in diesem Handbuch keine Ansprüche abgeleitet werden.

Das Managementsystem von SUNRISE MEDICAL ist zertifiziert nach DIN ISO 9001, ISO 13485 und ISO 14001.



**SUNRISE MEDICAL erklärt als Hersteller, dass die Rollstühle mit den Anforderungen der Richtlinie 93/42/EWG, geändert durch 2007/47/EG, übereinstimmen.**

Fragen zum Gebrauch, zur Wartung und Sicherheit Ihres Rollstuhls richten Sie bitte an den zuständigen, zugelassenen SUNRISE MEDICAL Fachhändler.

Falls sich kein zuständiger Fachhändler in Ihrer Nähe befindet oder falls Sie Fragen haben, können Sie Sunrise Medical auch schriftlich oder telefonisch erreichen (Kontaktadressen auf der letzten Seite).

Sunrise Medical GmbH & Co. KG  
Kahlbachring 2-4  
69254 Malsch  
Deutschland  
Tel.: +49 (0) 7253 980 400  
www.sunrisemedical.de

Bitte notieren Sie die Adresse und Telefonnummer Ihres zuständigen Kundendienstes unten in dem dafür vorgesehenen Feld. Benachrichtigen Sie ihn im Fall einer Panne, und versuchen Sie, alle relevanten Einzelheiten anzugeben, damit Ihnen rasch geholfen werden kann.

**Legende für die Symbole****WICHTIG:**

**BENUTZEN SIE IHREN ROLLSTUHL ERST, WENN SIE DIESES HANDBUCH VOLLSTÄNDIG GELESEN UND VERSTANDEN HABEN.**

**GEFAHR!**

Warnungen zu möglichen Gefahren von schweren Unfällen oder Lebensgefahr.

**WARNUNG!**

Warnungen zu möglichen Verletzungsgefahren.

**VORSICHT!**

Warnungen zu möglichen technischen Schäden.

**HINWEIS:**

Informationen zur Bedienung des Produkts.

**Inhaltsverzeichnis**

<b>Rollstuhlkomponenten</b>	<b>2</b>
<b>Vorwort</b>	<b>16</b>
<b>Legende für die Symbole</b>	<b>16</b>
<b>Inhaltsverzeichnis</b>	<b>16</b>
<b>Verwendung</b>	<b>16</b>
<b>Verwendungszweck</b>	<b>16</b>
<b>Allgemeine Sicherheitshinweise und Fahrbeschränkungen</b>	<b>17</b>
<b>Garantie</b>	<b>18</b>
<b>Transport</b>	<b>19</b>
<b>Handhabung</b>	<b>21</b>
<b>Optionen - Ankippbügel</b>	<b>21</b>
<b>Optionen - Bremsen</b>	<b>21</b>
<b>Optionen - Stockhalter</b>	<b>21</b>
<b>Optionen - Fußplatten</b>	<b>22</b>
<b>Optionen - Lenkräder</b>	<b>22</b>
<b>Optionen - Seitenteil</b>	<b>23</b>
<b>Optionen - Rücken</b>	<b>23</b>
<b>Optionen - Therapietisch</b>	<b>23</b>
<b>Optionen - Sicherheitsräder</b>	<b>23</b>
<b>Optionen - Beckengurt</b>	<b>23</b>
<b>Typenschild</b>	<b>24</b>
<b>Reifen und Montage</b>	<b>25</b>
<b>Tägliche Überprüfungen</b>	<b>25</b>
<b>Fehlersuche</b>	<b>25</b>
<b>Wartung und Pflege</b>	<b>25</b>
<b>Entsorgung / Recycling von Materialien</b>	<b>25</b>
<b>Technische Daten</b>	<b>26</b>
<b>Sitzhöhenverstellung</b>	<b>26</b>
<b>Drehmoment</b>	<b>26</b>

**Verwendung**

Stahlrollstühle sind ausschließlich für gehunfähige oder gehbehinderte Menschen zum individuellen Gebrauch im Haus und im Freien auf trockenem, festem und ebenem Untergrund bestimmt (Selbstfahrer oder Schieben durch Begleitperson). Das Höchstgewicht (das Körpergewicht des Benutzers und das Gewicht des im Rollstuhl eingebauten Zubehörs) ist auf dem Etikett mit der Seriennummer angegeben, das an der Querstange oder an der Stabilisierungsstange unter dem Sitz angebracht ist. Eine Gewähr kann nur übernommen werden, wenn das Produkt unter den vorgegebenen Bedingungen und zu den vorgesehenen Zwecken eingesetzt wird. Die vorgesehene Lebensdauer des Rollstuhls beträgt 5 Jahre. KEINE Teile von anderen Herstellern verwenden, außer diese sind von Sunrise Medical offiziell zugelassen.

**Verwendungszweck**

Die Vielfalt an Ausstattungsvarianten sowie die modulare Bauweise erlauben einen Einsatz bei Gehunfähigkeit/Gehbehinderung durch:

- Lähmung
- Gliedmaßenverlust (Beinamputation)
- Gliedmaßendefekt/Deformation
- Gelenkkontrakturen/-schäden
- Erkrankungen wie Herz- und Kreislaufinsuffizienz, Gleichgewichtsstörungen oder Kachexie sowie für Geriatriker mit noch verwendbaren Restkräften der oberen Gliedmaßen.

Beachten Sie bei der Versorgung außerdem auf Körpergröße, Gewicht, physische und psychische Verfassung, Alter des Behinderten, Wohnverhältnisse und Umwelt.



Technik und Bauweise dieses Rollstuhls sind für die maximale Sicherheit entworfen. Die aktuell gültigen internationalen Sicherheitsstandards wurden erfüllt oder teilweise übererfüllt. Dennoch kann sich der Benutzer einem Risiko aussetzen, wenn er den Rollstuhl nicht vorschriftsmäßig handhabt. Beachten Sie zu Ihrer eigenen Sicherheit bitte unbedingt die nachstehenden Regeln. Unfachmännische oder fehlerhafte Änderungen oder Einstellungen erhöhen das Unfallrisiko. Als Rollstuhlfahrer sind Sie auch Verkehrsteilnehmer und Passant auf Straßen und Gehwegen. Wir möchten Sie daran erinnern, dass für Sie als Rollstuhlfahrer alle Verkehrsregeln gelten.

Seien Sie auf Ihrer ersten Fahrt im Rollstuhl besonders vorsichtig. Lernen Sie Ihren Stuhl kennen.

Überprüfen Sie Folgendes vor jedem Gebrauch:

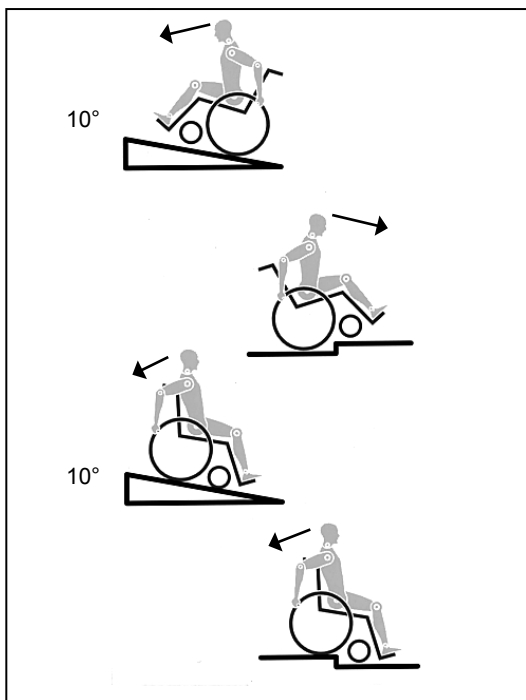
- Starrachsen oder Steckachsen an den Hinterrädern.
- Klettverschluss am Sitz und an der Rückenlehne
- Reifen, Reifendruck und Feststellbremsen.

Sollten irgendwelche Veränderungen an den Einstellungen vorgenommen werden, ist es wichtig, den entsprechenden Abschnitt der Gebrauchsanweisung zu lesen.

Besonders beim Befahren von Steigungen oder Gefällen können Schlaglöcher oder unebener Untergrund den Rollstuhl zum Kippen bringen. Wird eine Stufe oder ein Anstieg vorwärts befahren, sollte der Körper nach vorne geneigt sein.

### **GEFAHR!**

- Überschreiten Sie NIEMALS die Höchstlast von 125 kg für den Fahrer plus mitgeführte Gegenstände. Das Überschreiten der Maximalen Zuladung kann zu Schäden am Stuhl, zu Fallen oder Kippen aus dem Rollstuhl, Verlust der Kontrolle, oder zu schweren Verletzungen des Fahrers und anderer Personen führen.
- Tragen Sie im Dunklen möglichst helle Kleidung oder Kleidung mit Reflektoren, um besser gesehen werden zu können. Achten Sie darauf, dass die seitlich und rückwärtig am Rollstuhl angebrachten Reflektoren gut sichtbar sind.
- Wir empfehlen Ihnen auch das Anbringen einer aktiven Beleuchtung.
- Um Stürze und gefährliche Situationen zu vermeiden, sollten Sie den Umgang mit Ihrem neuen Rollstuhl erst auf ebenem, überschaubarem Gelände üben.
- Benutzen Sie zum Ein- oder Aussteigen aus dem Rollstuhl nicht die Fußbretter.
- Diese sollten vorher hochgeklappt und möglichst nach außen weggeschwenkt werden. Begeben Sie sich immer so nah wie möglich an die Stelle, an der Sie umsteigen möchten.



- Lassen Sie bei der Benutzung des Rollstuhls immer Vorsicht walten. Vermeiden Sie z.B. ein ungebremstes Fahren gegen ein Hindernis (Stufen, Bordsteinkante) oder Herunterfahren von Kanten.
- Die Feststellbremsen sind nicht dazu gedacht, Ihren Rollstuhl während der Fahrt zu bremsen. Sie sichern den Rollstuhl gegen das Wegrollen. Wenn Sie auf unebenem Untergrund anhalten, ziehen Sie immer die Feststellbremse an, damit sich der Rollstuhl nicht plötzlich bewegen kann. Ziehen Sie die Bremsen auf beiden Seiten an, sonst könnte der Stuhl kippen.
- Erforschen Sie die Auswirkungen von Schwerpunktverlagerungen auf das Verhalten des Rollstuhls, zum Beispiel auf Gefällstrecken, Steigungen, sämtlichen Neigungen oder beim Überwinden von Hindernissen nur mit sicherer Unterstützung eines Helfers.
- Bei extremen Einstellungen (z.B. Antriebsräder in vorderster Position) und ungünstiger Körperhaltung kann der Rollstuhl bereits auf ebener Fläche kippen.
- Neigen Sie Ihren Oberkörper beim Befahren von Steigungen und Stufen weit nach vorn.
- Lehnen Sie Ihren Oberkörper beim Befahren von Neigungen und Stufen weiter nach hinten. Versuchen Sie keinesfalls, Gefälle diagonal hinauf oder hinunter zu fahren.
- Vermeiden Sie Rolltreppen, da diese bei einem Sturz schwere Verletzungen verursachen können.
- Den Rollstuhl nicht an Gefällen bzw. Steigungen von mehr als 10° verwenden. Die dynamische Stabilität an Gefällen hängt von der Konfiguration des Rollstuhls, den Fertigkeiten und dem Fahrstil des Benutzers ab. Da die Fertigkeiten des Benutzers und der Fahrstil nicht vorherbestimmt werden können, kann der Höchstwert für das sichere Gefälle nicht bestimmt werden. Dieser muss vom Benutzer mit Hilfe einer Begleitperson ermittelt werden, um das Umkippen zu verhindern. Für unerfahrene Benutzer wird der Einbau von Sicherheitsrädern dringend empfohlen.
- Besonders beim Befahren von Steigungen oder Gefällen können Schlaglöcher oder unebener Untergrund den Rollstuhl zum Kippen bringen.
- Den Rollstuhl nicht auf schlammigem oder vereistem Grund verwenden.
- Den Rollstuhl nur dort verwenden, wo auch Fußgänger zugelassen sind.
- Zur Vermeidung von Handverletzungen greifen Sie bei der Fahrt mit dem Rollstuhl nicht zwischen die Speichen oder zwischen das Antriebsrad und die Radbremse.
- Bei Verwendung von Leichtmetallgreifringen kann es beim Abbremsen aus schneller Fahrt oder auf längeren Gefällestrecken zum Erhitzen der Greifringe kommen.
- Treppen dürfen nur mit Hilfe von Begleitpersonen überwunden werden. Sind dafür Einrichtungen wie z.B. Auffahrrampen oder Aufzüge vorhanden, so sind diese zu benutzen. Fehlen solche Einrichtungen, ist der Rollstuhl anzukippen und über die Stufen zu führen (2 Helfer). Wir empfehlen, Benutzer mit einem Körpergewicht über 100 kg nicht auf diese Weise zu transportieren. Generell müssen montierte Sicherheitsräder zuvor so eingestellt werden, dass sie beim Transport nicht auf die Stufen aufsetzen können, da es sonst zu schweren Stürzen kommen kann. Anschließend müssen die Sicherheitsräder wider korrekt eingestellt werden.
- Achten Sie darauf, dass die Begleitpersonen den Rollstuhl nur an fest montierten Bauteilen anfassen. Keine abnehmbaren Teile (z.B. die Fußrasten oder Seitenteile) dafür verwenden.
- Achten Sie beim Benutzen von Hebebühnen darauf, dass sich montierte Sicherheitsräder außerhalb des Gefahrenbereichs befinden.
- Sichern Sie Ihren Rollstuhl auf unebenem Gelände oder beim Umsteigen (z. B. ins Auto) durch Betätigen der Bremse.

## GEFAHR!

- Achten Sie beim Benutzen von Hebebühnen darauf, dass sich montierte Sicherheitsräder außerhalb des Gefahrenbereichs befinden.
- Sichern Sie Ihren Rollstuhl auf unebenem Gelände oder beim Umsteigen (z. B. ins Auto) durch Betätigen der Bremse.
- Wenn und wann immer möglich, sollten Fahrzeuginsassen während der Fahrt in einem Behindertentransportkraftwagen (BTW) die im Fahrzeug installierten Sitze und die dazugehörigen Rückhaltesysteme nutzen. Nur so sind Insassen bei einem Unfall optimal geschützt.
- Abhängig von Durchmesser und Einstellung der Lenkräder sowie der Schwerpunkteinstellung des Rollstuhls kann bei höheren Geschwindigkeiten ein Flattern der Lenkräder auftreten. Dies kann zu einem Blockieren der Lenkräder und zum Kippen des Rollstuhls führen. Achten Sie daher auf eine korrekte Einstellung der Lenkräder (siehe Kapitel "Lenkräder").
- Befahren Sie insbesondere Gefällstrecken nicht ungebremst, sondern mit reduzierter Geschwindigkeit. Die Verwendung von Sicherheitsrädern ist bei ungeübten Nutzern unbedingt empfehlenswert.
- Die Sicherheitsräder sollen ein unbeabsichtigtes Kippen nach hinten verhindern. Keinesfalls sollen sie die Funktion von Transittrollen übernehmen, etwa um eine Person bei abgenommenen Antriebsrädern im Rollstuhl zu transportieren.
- Achten Sie beim Ergreifen von Gegenständen (die vor, seitlich oder hinter dem Rollstuhl liegen) darauf, dass Sie sich nicht zu weit aus dem Rollstuhl lehnen, da durch Schwerpunktverlagerung eine Kipp- bzw. Überschlaggefahr besteht. Das Aufhängen von zusätzlichen Lasten (Rucksack oder ähnliche Gegenstände) an die Rückenpfosten Ihres Rollstuhls kann die Stabilität Ihres Rollstuhls nach hinten beeinträchtigen, vor allem, wenn der Rückenwinkel nach hinten verstellt wurde. Der Rollstuhl kann dadurch nach hinten kippen und Verletzungen verursachen.
- Bei Oberschenkelamputation müssen die Sicherheitsräder verwendet werden.
- Achten Sie vor Fahrtantritt auf den korrekten Luftdruck der von Ihnen verwendeten Bereifung. Bei den Antriebsrädern muss er mindestens 3,5 bar (350 kPa) betragen. Der max. Luftdruck ist am Reifen angegeben. Die Kniehebelbremsen sind nur bei ausreichendem Luftdruck und korrekter Einstellung wirksam (siehe Kapitel "Bremse").
- Sollte die Sitz- und Rückenbespannung beschädigt sein, tauschen Sie diese bitte umgehend aus.
- Vorsicht beim Umgang mit Feuer, insbesondere brennenden Zigaretten. Sitz- und Rückenbespannung könnten sich entzünden.
- Wenn der Rollstuhl längere Zeit direkter Sonneneinstrahlung / niedrigen Temperaturen ausgesetzt war, können Teile des Rollstuhls (z.B. Rahmen, Fußrasten, Bremsen und Seitenteile) sehr heiß (>41°C) bzw. sehr kalt (<0°C) werden.
- Achten Sie immer darauf, dass die Steckachsen an den Hinterrädern (falls eingebaut) richtig eingestellt sind und ganz einrasten (Kugellager sind ganz durch die Achsaufnahme sichtbar). Bei nicht gedrücktem Knopf der Steckachse darf sich das Antriebsrad nicht entfernen lassen.

## VORSICHT!

- Sowohl die Wirkung der Kniehebelbremse als auch das allgemeine Fahrverhalten sind vom Luftdruck abhängig. Mit korrekt aufgepumpten Antriebsrädern und gleichem Luftdruck auf beiden Rädern lässt sich Ihr Rollstuhl wesentlich leichter und besser manövrieren.
- Achten Sie auf eine ausreichende Profiltiefe Ihrer Bereifung!
- Beachten Sie bitte, dass Sie bei Fahrten im öffentlichen Straßenverkehr der Straßenverkehrsordnung unterliegen.
- Lassen Sie bei der Handhabung und beim Einstellen des Rollstuhls immer Vorsicht walten!
- Anpassungen, für die Werkzeug benötigt wird, sollten nur von autorisierten Fachhändlern vorgenommen werden.
- Reinigen Sie den Rollstuhl regelmäßig, um Rostbildung und Korrosion durch Salz zu vermeiden.
- Überprüfen Sie die Nieten, Muttern und Schrauben, um sicherzustellen, dass sie fest sitzen und sich keine Rollstuhlteile lösen.

- Bei allen beweglichen Teilen besteht immer die Gefahr, dass die Finger eingeklemmt werden können. Bitte immer vorsichtig handhaben.
- Die Rollstühle, die in diesem Handbuch abgebildet und beschrieben sind, entsprechen möglicherweise nicht in allen Einzelheiten genau Ihrem eigenen Modell. Dennoch sind alle Anweisungen trotz möglicher Detailunterschiede völlig relevant.
- Der Hersteller behält sich das Recht vor, Gewichte, Abmessungen oder andere in diesem Handbuch aufgeführte technische Daten ohne vorherige Benachrichtigung zu ändern. Alle in diesem Handbuch aufgeführten Zahlenangaben, Abmessungen und Kapazitäten sind ungefähr und stellen keine präzisen technischen Daten dar.

## LEBENSDAUER

Die erwartete Lebensdauer des Rollstuhls beträgt 5 Jahre, vorausgesetzt:

Die bestimmungsgemäße Verwendung wird genau beachtet  
Alle Anforderungen in Bezug auf Service und Wartung werden erfüllt.

## Garantie

### GARANTIE

DIES BESCHRÄNKT IHRE GESETZLICHEN RECHTE IN KEINER WEISE.

Garantiebedingungen

- 1) Reparatur oder Ersatz erfolgt durch den autorisierten Sunrise Medical Fachhandel.
- 2) Um die Garantiebedingungen zu erfüllen, falls an Ihrem Rollstuhl unter diesen Vereinbarungen eine Wartung durchgeführt werden muss, benachrichtigen Sie umgehend den bezeichneten Sunrise Medical Kundendienst mit genauen Angaben über die Art der Schwierigkeiten. Sollten Sie das Produkt an einem Ort außerhalb des Zuständigkeitsbereichs des bezeichneten Sunrise Medical Kundendienstes verwenden, wird die Arbeit unter den „Garantiebedingungen“ von einem anderen, vom Hersteller bezeichneten Kundendienst ausgeführt.
- 3) Sollte ein Teil oder Teile des Rollstuhls innerhalb von 24 Monaten (5 Jahre für Rahmen- und Kreuzstrebe) nach Eigentumsübertragung an den ursprünglichen Käufer und vorausgesetzt, dass dieser dann noch Eigentümer des Rollstuhls ist, Reparaturen oder eine Auswechslung benötigen als Folge eines spezifischen Herstellungs- und Materialfehlers, wird das Teil bzw. werden die Teile repariert oder kostenlos ausgewechselt, wenn der Rollstuhl an den autorisierten Kundendienst zurückgeschickt wird.  
Hinweis: Diese Garantie ist nicht übertragbar.
- 4) Die Garantie gilt auch für alle reparierten oder ausgetauschten Teile für die auf dem Rollstuhl verbleibende Garantiedauer.
- 5) Auf Teile, die nach Ablauf der ursprünglichen Garantie ersetzt werden, wird für weitere drei Monate Garantie gegeben.
- 6) Verschleißteile sind normalerweise von der Garantie ausgenommen, außer der vorzeitige Verschleiß dieser Teile wurde unmittelbar durch den ursprünglichen Fabrikationsfehler verursacht. Zu diesen Teilen gehören u.a. Bespannungen, Reifen, Schläuche und ähnliche Teile.
- 7) Die obigen Garantiebedingungen gelten für alle Produkt-Teile von Modellen, die zum vollen Verkaufspreis erstanden wurden.
- 8) Normalerweise haften wir nicht, wenn eine Reparatur oder Ersatz des Rollstuhls aus den folgenden Gründen erforderlich ist:
  - a) Das Produkt oder Teile davon wurden nicht korrekt gewartet oder im Einklang mit den Empfehlungen des Herstellers (siehe Angaben in der Gebrauchsanweisung und / oder im Technischen Handbuch) instand gehalten. Verwendung von anderem als dem spezifizierten Originalzubehör.
  - b) Der Rollstuhl oder ein Teil des Rollstuhls wurde durch Nachlässigkeit, Unfall oder unsachgemäße Verwendung beschädigt.
  - c) Änderungen am Rollstuhl oder an Teilen, die von den Spezifikationen des Herstellers abweichen oder Ausführung von Reparaturen vor der Benachrichtigung des Kundendienstes.
  - d) Wenn am Rollstuhl Korrosion auftritt, die auf unsachgemäße Wartung zurückzuführen ist

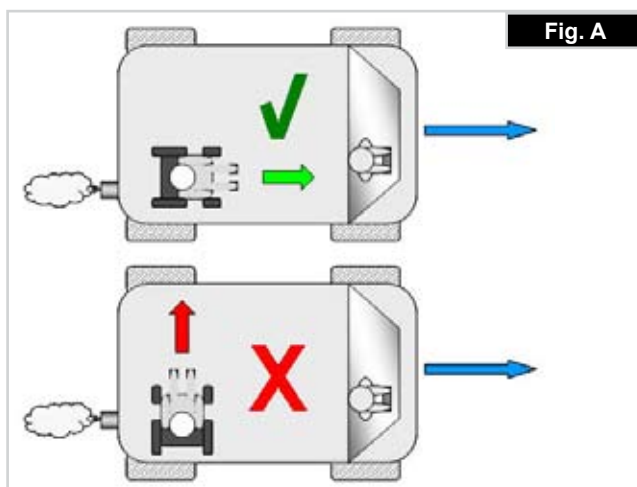
### GEFAHR!

Bei Nichtbeachtung dieser Ratschläge besteht die Gefahr von schweren Körperverletzungen und sogar Lebensgefahr!

Transport Ihres Rollstuhls in einem Fahrzeug:

Ein in einem Fahrzeug gesicherter Rollstuhl bietet nicht die gleiche Sicherheit wie das Sitzsystem eines Fahrzeugs. Wir empfehlen immer, dass der Benutzer in das Sitzsystem des Fahrzeugs umsteigt. Wir erkennen an, dass es in der Praxis nicht immer möglich ist, dass der Benutzer umsteigt und in diesem Fall müssen die folgenden Ratschläge beachtet werden, wenn der Benutzer im Rollstuhl sitzend transportiert werden muss:

1. Überprüfen Sie, dass das Fahrzeug für den Transport eines Insassen in einem Rollstuhl ausgestattet ist und über einen für Ihren Rollstuhltyp geeigneten Zugang/Ausgang verfügt. Das Fahrzeug muss über eine ausreichende Tragkraft für das Gesamtgewicht, d.h., das Körpergewicht des Benutzers und das Gewicht von Rollstuhl und Zubehör, verfügen.
2. Um den Rollstuhl herum sollte genügend Platz zur Verfügung stehen, damit das Rückhaltesystem und die Sicherheitsgurte des Rollstuhls und für den Benutzer angelegt, festgezogen und wieder geöffnet werden können.
3. Wenn sich der Benutzer im Rollstuhl befindet, muss dieser vorwärts gerichtet stehen und mit den Befestigungsgurten für den Rollstuhl und den Sicherheitsgurten des Rollstuhls (Befestigungsgurte gemäß WTORS müssen den Anforderungen von ISO 10542 oder SAE J2249 entsprechen) gemäß der Gebrauchsanweisung des Herstellers des Rückhaltesystems (WTORS) befestigt werden.
4. Der Rollstuhl wurde für den Transport in einem Fahrzeug in einer anderen Stellung nicht geprüft, so darf z.B. der Rollstuhl keinesfalls seitlich gerichtet transportiert werden (Fig. A).
5. Der Rollstuhl muss mit einem Rückhaltesystem gemäß ISO 10542 oder SAE J2249 mit nicht verstellbaren Gurten vorne und verstellbaren Gurten hinten gesichert werden, dabei handelt es sich normalerweise um Karabinerhaken/S-förmige Haken sowie um Steckverschlüsse. Die Rückhaltesysteme bestehen normalerweise aus 4 Einzelgurten, die an den vier Ecken des Rollstuhls befestigt werden.
6. Das Rückhaltesystem muss wie auf der nächsten Seite abgebildet am Fahrgestell des Rollstuhls und nicht an Anbauten oder Zubehör, z.B. nicht um die Speichen der Räder, die Bremse oder Fußraste befestigt werden.



7. Das Rückhaltesystem muss so nah wie möglich mit einem Winkel von 45 Grad angebracht und gemäß der Bedienungsanleitung des Herstellers sicher befestigt werden.

8. Ohne Rücksprache mit dem Hersteller dürfen an den Befestigungspunkten des Rollstuhls oder an Bauteilen des Fahrgestells und des Rahmens keine Änderungen vorgenommen bzw. diese nicht ausgetauscht werden. Bei Nichtbeachtung dieser Vorgabe dürfen Sunrise Medical Rollstühle nicht in Fahrzeugen transportiert werden.

9. Der Benutzer muss sowohl mit dem Beckengurt als auch mit dem Schultergurt angeschnallt werden, um die Wahrscheinlichkeit eines Aufpralls von Kopf und Brust auf die Bauteile des Fahrzeugs und schwere Körperverletzungen beim Benutzer und anderen Fahrzeuginsassen zu verringern. (Fig. B) Der Schultergurt muss an der "B"-Säule des Fahrzeugs befestigt werden - bei Nichtbeachtung erhöht sich die Gefahr von schweren Bauchverletzungen für den Benutzer.

10. Eine für den Transport geeignete Kopfstütze (siehe Aufkleber an der Kopfstütze) muss eingebaut und während des Transports stets richtig angebracht sein.

11. Haltevorrichtungen (Beckenriemen, Beckengurte) dürfen bei der Fahrt nur zur Sicherung des Rollstuhlbenutzers verwendet werden, wenn auf dem Etikett angegeben ist, dass sie die Anforderungen von ISO 7176-19:2001 oder SAE J2249 erfüllen.

12. Die Sicherheit des Benutzers während des Transports hängt von der Sorgfalt ab, mit der das Rückhaltesystem befestigt wird, die Person, von der die Befestigung ausgeführt wird, sollte in der Bedienung des Systems unterwiesen bzw. geschult sein.

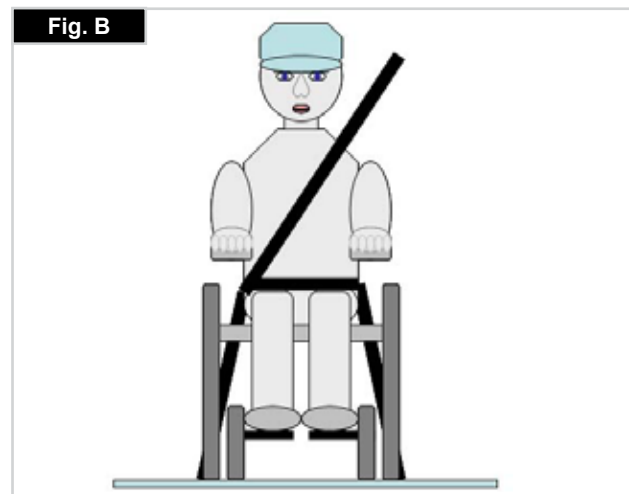
13. Soweit möglich sollten alle Hilfsmittel vom Rollstuhl abgenommen und sicher verstaut werden wie etwa: Krücken, lose Kissen und Therapietische.

14. Hochschwenkbare/höhenverstellbare Fußrasten dürfen nicht hochgestellt sein, wenn der Benutzer im Rollstuhl sitzend transportiert wird und der Rollstuhl mit einem Rückhaltesystem und Sicherheitsgurt gesichert ist.

15. Verstellbare Rücken müssen in die aufrechte Position gebracht werden.

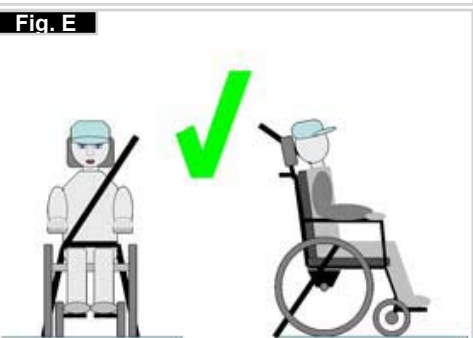
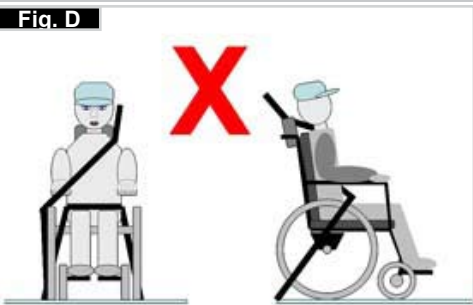
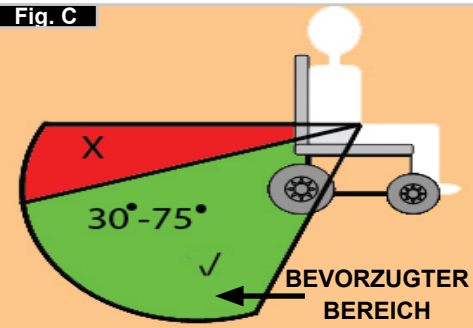
16. Die manuelle Bremse muss fest angezogen werden.

17. Die Sicherheitsgurte müssen an der "B"-Säule des Fahrzeugs angebracht werden und dürfen nicht durch Rollstuhlteile wie Armlehnen oder Räder vom Körper ferngehalten werden.



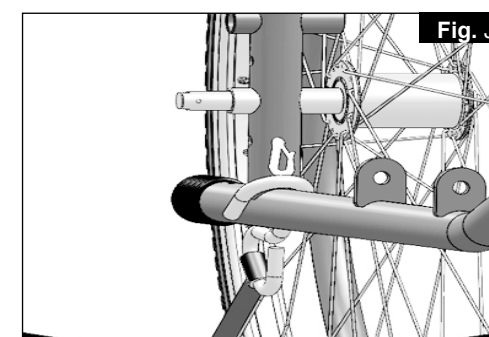
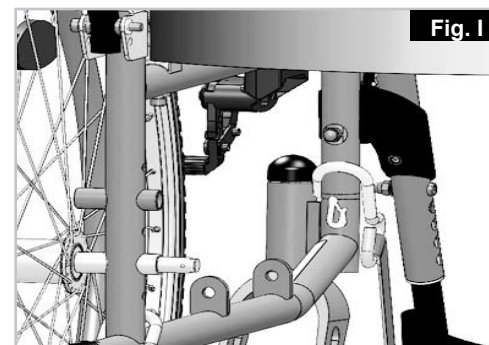
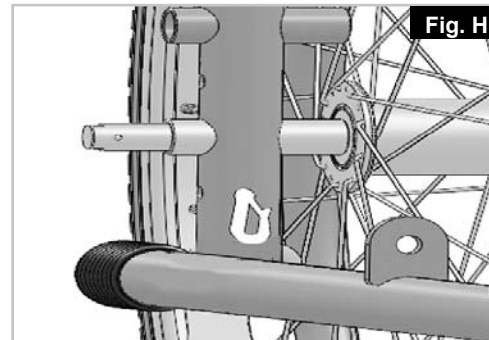
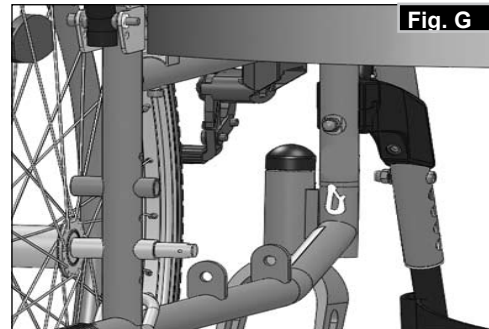
**ANLEITUNG FÜR DAS ANSCHNALLLEN DES ROLLSTUHLBENUTZERS**

1. Der Beckengurt muss unten an der Vorderseite des Beckens getragen werden, so dass der Winkel des Beckengurts innerhalb des bevorzugten Bereichs von 30 bis 75 Grad zur Horizontalen liegt. Ein steilerer (größerer) Winkel innerhalb des bevorzugten Bereichs ist wünschenswert, d.h., näher an 75°, aber keinesfalls darüber. (Fig. C)
2. Der Schultergurt muss wie in Fig. D und E gezeigt über die Schulter und quer über die Brust passen. Sicherheitsgurte müssen so fest wie möglich sitzen ohne den Benutzerkomfort zu beeinträchtigen. Sicherheitsgurte dürfen beim Gebrauch nicht verdreht sein. Der Schultergurt muss wie in Fig. D und E gezeigt über die Schulter und quer über die Brust passen.
3. Die Befestigungspunkte am Rollstuhl befinden sich am vorderen inneren Seitenteil des Fahrgestells direkt über dem Lenkrad und am hinteren Seitenteil des Fahrgestells. Die Gurte werden um die Seitenteile des Fahrgestells an der Stelle befestigt, an der das waagrechte und das senkrechte Rohr aufeinandertreffen. (Siehe Fig. G - K).
4. Die Position der Befestigungsgurte für den Rollstuhl ist mit dem Symbol für den Befestigungspunkt (Fig. F) markiert. Wenn die vorderen Gurte zur Befestigung des Rollstuhls angebracht sind, werden die Gurte gestrafft.



Lage der Befestigungspunkte für das Rückhaltesystem am Rollstuhl:

1. Lage der vorderen und hinteren Verankerungsaufkleber (Fig. G - H).
2. Lage der vorderen (Fig. I) und hinteren (Fig. J) Aufkleber mit den Befestigungspunkten für das Rückhaltesystem am Rollstuhl und des Verankerungsaufklebers.
3. Seitenansicht der Befestigungsgurte (Fig. K).



## Handhabung

### FALTEN

Entfernen Sie zuerst das Sitzkissen vom Rollstuhl, und klappen Sie die Fußplatte oder die einzelnen Fußstützen nach oben. Ergreifen Sie die Schlinge bzw. die Sitzrohre in der Mitte, von unten her, und ziehen Sie sie nach oben. Der Rollstuhl klappt sich dann zusammen. Je nach Modell können Sie die Fußstützen abmontieren, um den Rollstuhl so klein wie möglich zu falten, z.B. um ihn in einem Auto zu verstauen. Zu diesem Zweck öffnen Sie den Riegel von außen, und schwenken Sie die Fußstütze zur Seite. Danach muss die Fußstütze nur noch aus ihrem Halterohr gezogen werden (Fig. 1).



### ENTFALTEN

Drücken Sie auf die Sitzrohre (siehe Abbildung). Dadurch klappt der Rollstuhl auf. Lassen Sie dann die Sitzrohre im Sitzsattel einrasten. Es geht einfacher, wenn der Rollstuhl leicht gekippt wird, weil dadurch ein Hinterrad entlastet wird. **Achten Sie darauf, dass Sie Ihre Finger nicht in der Kreuzstrebe einklemmen.** Das Sitzkissen wieder anbringen (Fig. 2).

### Steckachsen beim Antriebsrad

Die Hinterräder sind mit Steckachsen ausgestattet. Damit können die Räder ohne Werkzeug montiert und abgenommen werden. Um ein Rad abzunehmen, drücken Sie einfach auf den Schnellverschlussknopf an der Achse (1), und ziehen Sie das Rad von der Achse (Fig. 3).

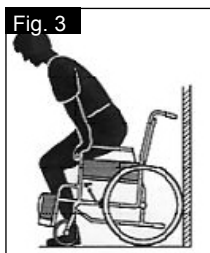


### VORSICHT:

**Halten Sie bei der Montage der Hinterräder den Schnellverschlussknopf auf der Achse niedergedrückt, wenn Sie die Achse in den Rahmen stecken. Beim Loslassen des Knopfs rastet das Rad ein, und der Schnellverschlussknopf springt in seine Ausgangsposition zurück.**

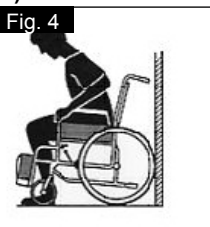
### Alleine in Ihren Rollstuhl einsteigen (Fig. 3)

- Den Rollstuhl an eine Wand oder ein solides Möbelstück schieben;
- Die Bremse anziehen;
- Die Fußplatten nach oben klappen;
- Der Benutzer kann sich dann selbst in den Rollstuhl herablassen;
- Die Fußplatten dann nach unten klappen und die Füße vor den Fersenbändern darauf abstützen.



### Alleine aus Ihrem Rollstuhl aussteigen (Fig. 4)

- Die Bremse anziehen;
- Die Fußplatten mit Gelenk nach oben klappen;
- Die Fußplatten mit Gelenk nach oben klappen; die Person leicht nach vorne beugen, um das Körpergewicht auf die Vorderkante des Sitzes zu verlagern und mit beiden Füßen fest auf dem Boden und einem Fuß hinter dem anderen in die aufrechte Position schieben.



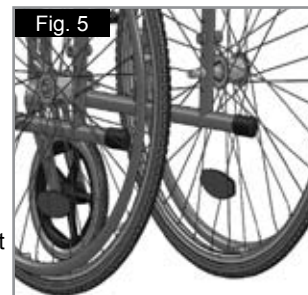
### ⚠️ WARNUNG!

Beim Stehen nicht auf die Fußplatten stellen, da der Rollstuhl sonst umkippt. Das Einsteigen in Ihren Rollstuhl ist einfacher und sicherer, wenn Sie die Fußplatten nach oben klappen und zur Seite schieben oder sie vom Rollstuhl abnehmen.

## Optionen - Ankippbügel

### ANKIPPBÜGEL (FIG. 5)

Ankippbügel werden von Begleitpersonen benutzt, um den Rollstuhl nach hinten anzukippen. Um den Rollstuhl zum Beispiel auf einen Bordstein oder eine Stufe zu schieben, tritt man einfach mit dem Fuß auf den Bügel.

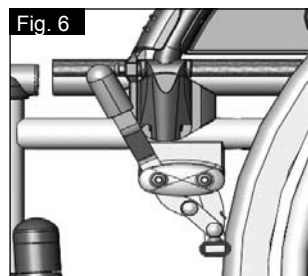


**HINWEIS:** Sunrise Medical empfiehlt dringend, bei allen Modellen, die vorwiegend von einer Begleitperson geschoben werden, einen Ankippbügel zu verwenden. Wenn der Rollstuhl nicht mit einem Ankippbügel ausgestattet ist und das Rückenrohr ständig als Hebel zum Kippen des Rollstuhls benutzt wird, kann dadurch das Rückenrohr beschädigt werden.

## Optionen - Bremsen

### FESTSTELLBREMSEN

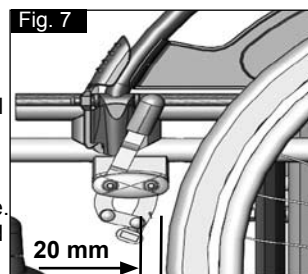
Ihr Rollstuhl ist mit zwei Feststellbremsen ausgestattet, die direkt gegen die Räder geführt werden. Um die Feststellbremsen anzuziehen, drücken Sie beide Bremshebel nach vorn, gegen den Anschlag. Zum Loslassen der Bremse ziehen Sie die Hebel zurück in ihre Ausgangsposition.



Die Bremsen sind weniger wirksam bei:

- abgefahrenem Reifenprofil
- zu niedrigem Reifendruck
- nassen Reifen
- inkorrektener Einstellung

Die Feststellbremsen sind nicht als Bremsen für den fahrenden Rollstuhl entworfen. Die Feststellbremsen dürfen daher nicht zum Abbremsen des Stuhls verwendet werden. Benutzen Sie dazu immer die Hände. Achten Sie darauf, dass der Abstand zwischen den Reifen und den Feststellbremsen mit den angegebenen Spezifikationen übereinstimmt. Der Abstand wird justiert, indem Sie die Schraube lockern und den richtigen Abstand einstellen. Die Schraube dann wieder anziehen (Fig. 6 und 7).



### ⚠️ VORSICHT!

Prüfen Sie den Abstand der Feststellbremsen nach jeder Justierung des Hinterrads und stellen Sie ihn gegebenenfalls neu ein.

### ⚠️ VORSICHT!

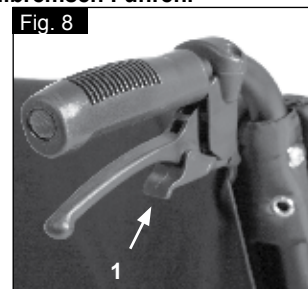
**Wenn die Feststellbremse zu nah am Rad montiert ist, erfordert die Betätigung einen höheren Kraftaufwand. Dadurch kann der Bremshebel abbrechen!**

### ⚠️ VORSICHT!

**Wenn Sie sich beim Ein- und Aussteigen auf den Bremshebel stützen, bricht der Hebel ab! Spritzwasser von den Rädern kann zur Fehlfunktion der Feststellbremsen führen.**

### TROMMELBREMSEN

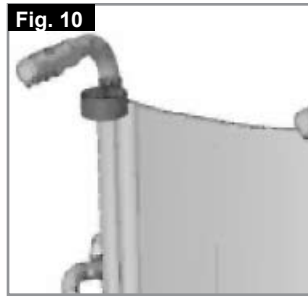
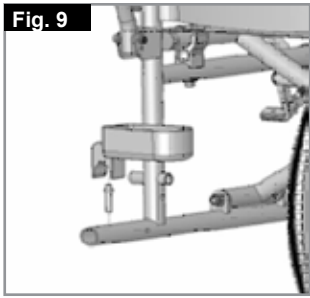
Trommelbremsen stellen für den Helfer eine sichere und geeignete Bremsmethode dar. Die Bremsen können ebenfalls mit einem Verschlusshebel (1) angezogen werden, um das Wegrollen zu verhindern. Der Hebel muss hörbar einrasten. Die Trommelbremsen werden nicht vom Reifendruck beeinflusst. Wenn die Trommelbremse angezogen ist, kann sich der Rollstuhl nicht bewegen (Fig. 8).



### ⚠️ VORSICHT!

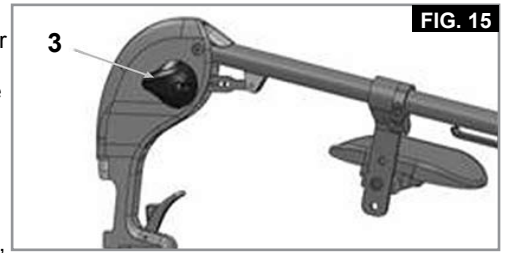
Trommelbremsen dürfen nur von zugelassenen Fachhändlern justiert werden.

## Optionen - Stockhalter



## EINSTELLEN DES WINKELS:

Drücken Sie den Hebel (3) mit einer Hand nach unten und halten Sie die Fußraste mit der anderen Hand fest, um sie zu entlasten. Wenn der gewünschte Winkel erreicht ist, lassen Sie den Hebel los und die Fußraste rastet in eine der voreingestellten Positionen ein.



## Optionen - Fußplatten

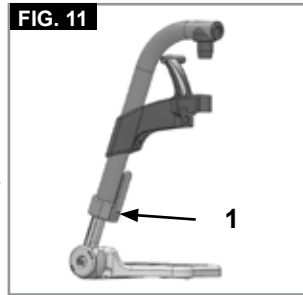
### FUSSPLATTEN:

Die Fußplatten können hochgeklappt werden, um das Ein- und Aussteigen zu erleichtern.

Das Gewicht beträgt 1,0 kg pro Baugruppe

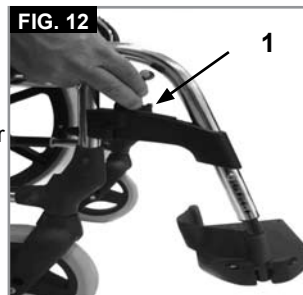
### UNTERSCHENKELLÄNGE:

Für Fahrer mit längeren Beinen kann die Beinstütze mittels der Schrauben (1) entsprechend abgesenkt werden. Lockern Sie die Schrauben, schieben Sie die Rohre auf die gewünschte Position, und ziehen Sie die Schrauben wieder fest (siehe unter Drehmoment). Die Fußplatten müssen mindestens 2,5 cm Abstand vom Boden haben, (Fig. 11).



### BEINSTÜTZEN UND VERRIEGELUNG

Die Beinstützen können nach innen unter die Sitzschlinge oder nach außen geschwenkt werden. Beim Montieren der Beinstütze müssen die Fußplatten nach innen bzw. außen zeigen. Drehen Sie dann die Beinstütze nach innen, bis sie einrastet. Zum Abmontieren ziehen Sie den Hebel (1) schwenken Sie die Fußplatte nach innen oder außen, und heben Sie die Beinstütze heraus. Achten Sie auf das korrekte Einrasten der Beinstütze, (Fig. 12).



### ⚠ VORSICHT!

- Der Rollstuhl darf nicht an den Beinstützen angehoben oder getragen werden.
- Benutzen Sie zum Ein- oder Aussteigen aus dem Rollstuhl nicht die Fußbretter. Sie müssen vorher hochgeklappt werden oder die Fußraste muss so weit wie möglich nach außen geschwenkt werden.

### OPTION HÖHENVERSTELLBARE FUSSRASTE

(Fig. 13-15)

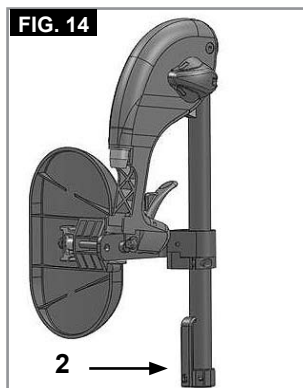
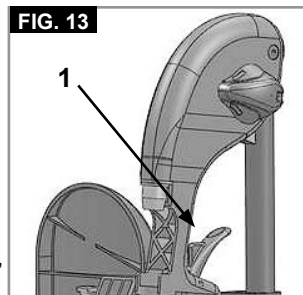
Zum Abnehmen den Hebel (1) betätigen, die Fußplatte nach außen schwenken und die Fußraste herausheben.

### HÖHENEINSTELLUNG:

Die Unterschenkellänge kann durch Lösen der Schraube (2) stufenlos verstellt werden. Auf eine passende Höhe einstellen und die Schraube wieder festziehen.

### ⚠ VORSICHT!

Der Abstand zwischen der Fußplatte und dem Boden muss mindestens 40 mm betragen.



## VERSTELLEN DES WADENPOLSTERS

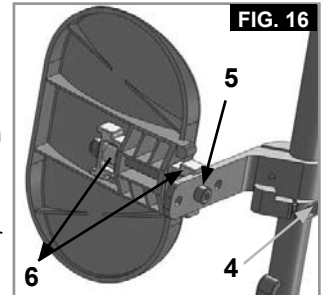
(Fig. 16).

Das Wadenpolster kann wie folgt verstellt werden:

Höhe: Lösen Sie die Schraube (4) und schieben Sie das Klemmstück auf die gewünschte Position. Durch das Drehen des Klemmstücks kann auch der Winkel verstellt werden.

Tiefe: Lösen Sie die Schraube (5) und schieben Sie das Wadenpolster in die gewünschte Position.

Breite: Lösen Sie die Schraube (5) und bringen Sie die Distanzstücke (6) so hinter dem Polster an, dass die gewünschte Position erreicht ist.



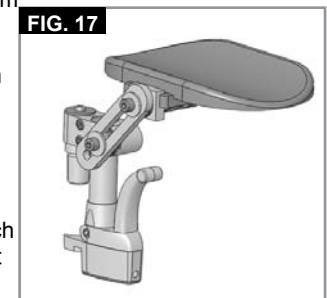
### ⚠ WARNUNG!

- Halten Sie beim Anheben oder Absenken der Fußraste die Hände vom Verstellmechanismus zwischen dem Fahrgestell und den beweglichen Teilen der Fußraste fern.
- Achten Sie immer darauf, dass die Befestigungsteile gesichert sind.
- Die Fußrasten dürfen nicht zum Anheben oder zum Tragen des Rollstuhls verwendet werden.
- Quetschgefahr! Greifen Sie beim Verstellen der Fußraste nach oben oder unten nicht in den Verstellmechanismus zwischen den beweglichen Teilen der Fußraste.

## AMPUTATIONS AUFLAGE

(Fig. 17).

Die Amputationsauflage kann je nach Bedarf in alle Richtungen eingestellt werden.



## Optionen - Lenkräder

### LAUFRÄDER, LAUFRADPLATTEN, GABELN

Es kann vorkommen, dass der Rollstuhl einen leichten Rechts- oder Linksdrall entwickelt oder dass die Laufräder schlingern. Das kann folgende Gründe haben:

- Der Radlauf vorwärts oder rückwärts ist nicht richtig eingestellt.
- Der Laufradwinkel ist nicht richtig eingestellt.
- Der Druck im Laufrad und /oder Hinterrad ist nicht korrekt; die Räder drehen sich nicht sanft.

Der Rollstuhl kann nicht in einer geraden Linie fahren, wenn die Laufräder nicht richtig eingestellt sind. Die Laufräder müssen immer von einem zugelassenen Fachhändler eingestellt werden. Die Feststellbremse muss immer überprüft werden, wenn die Position des Hinterrads verstellt wurde.

Die Sitzhöhe wird durch die Lenk- und Antriebsradposition festgelegt. Die Sitzhöhe kann durch Veränderung der Position der Antriebsräder und Lenkräder eingestellt werden.

### ⚠ VORSICHT!

Nach der SitzhöhenEinstellung, müssen alle Schrauben wieder festgezogen und die Bremse neu eingestellt werden. Die Lenkräder müssen auf 90° eingestellt sein.

## Optionen - Seitenteil

### STANDARD SEITENTEILE, HOCHKLAPPBAR, MIT KURZEN ODER LANGEN ARMLEHNEN

Das nach vorne abgerundete Seitenteil ermöglicht es Ihnen, nahe an einen Tisch heranzufahren. Zum Hochklappen der Armlehne betätigen Sie den Hebel (1), um das Seitenteil zu entriegeln (Fig. 18). Die Länge der Armlehne kann verstellt werden, dazu die Schrauben (2) lösen, dann die Armlehne auf die gewünschte Position schieben und die Schrauben wieder festziehen (Fig. 19).

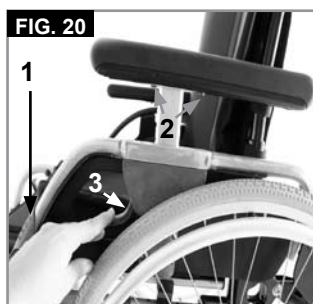


**⚠️ WARNUNG!**

Die Seitenteile, wie deren Armlehnen sind zum Anheben oder Tragen des Rollstuhles nicht geeignet.

### SEITENTEIL, HOCHSCHWENKBAR, ABNEHMBAR MIT KURZER / LANGER ARMAUFLAGE, HÖHENVERSTELLBAR

Die Armauflage kann folgendermaßen in der Höhe verstellt werden. Drücken Sie den Hebel nach unten und stellen Sie die Armauflage auf die gewünschte Höhe (3). Lassen Sie den Hebel los und drücken Sie die Armauflage nach unten, bis sie hörbar einrastet. Kontrollieren Sie immer, dass die Seitenteile richtig eingerastet sind. Zum Hochschwenken drücken Sie den Hebel (1), damit das Seitenteil entriegelt wird. Die Länge der Armauflage kann eingestellt werden, indem Sie die Schrauben (2) lösen, die Armauflage in die entsprechende Position schieben und die Schrauben wieder anziehen (Fig. 20).



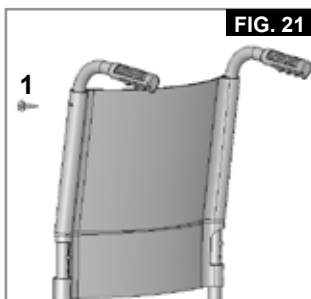
**⚠️ WARNUNG!**

Die Seitenteile, wie deren Armlehnen sind zum Anheben oder Tragen des Rollstuhles nicht geeignet.

## Optionen - Rücken

### HÖHENVERSTELLBARE RÜCKENLEHNE

Die Höhe der Rückenlehne kann auf 2 verschiedene Positionen eingestellt werden (41 cm und 42,5 cm). Die Schrauben (1) lösen und abnehmen und die Rückenbespannung auf die gewünschte Position schieben. Ziehen Sie die Bolzen wieder fest (Fig. 21).



## Optionen - Therapietisch

### THERAPIETISCH

Der Therapietisch bietet eine Arbeitsfläche für die meisten Aktivitäten. Das Tablett muss vor der Benutzung von einem zugelassenen Fachhändler auf die jeweilige Sitzbreite eingestellt werden. Bei dieser Einstellung muss der Fahrer im Rollstuhl sitzen (Fig. 22).



## Optionen - Sicherheitsräder

### SICHERHEITSRÄDER

Sicherheitsräder verschaffen unerfahrenen Rollstuhlbenutzern zusätzliche Sicherheit, wenn sie den Umgang mit dem Rollstuhl erlernen. Sie hindern den Rollstuhl daran, nach hinten zu kippen.



Durch Druck auf den Verschlussknopf (1) können die Sicherheitsräder nach oben gestellt oder entfernt werden. Zwischen Rohr und Boden muss ein Abstand von 3 cm bis 5 cm verbleiben. Wenn Sie ein größeres Hindernis überwinden (z.B. einen Bordstein befahren), müssen die Sicherheitsräder nach oben gedreht werden, damit sie den Boden nicht berühren. Drehen Sie die Sicherheitsräder anschließend wieder auf die normal vorgesehene Stellung herunter. (Fig. 23).

**⚠️ WARNUNG!**

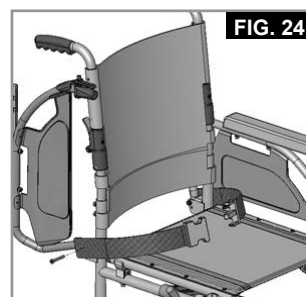
Bei falscher Einstellung der Sicherheitsräder kann der Rollstuhl nach hinten kippen.

## Optionen - Beckengurt

**⚠️ WARNUNG!**

Vor der Benutzung des Rollstuhls sicherstellen, dass der Sicherheitsgurt angelegt und richtig eingestellt ist.

Der Beckengurt ist wie abgebildet am Rollstuhl angebracht. Der Gurt besteht aus 2 Hälften. Sie werden mit der Befestigungsschraube für die Armlehne befestigt, die durch die Öse am Gurt gesteckt wird. Der Gurt wird unter der Rückseite des Seitenteils entlang geführt. Bringen Sie den Gurt so an, dass sich die Schnallen in der Mitte des Sitzes befinden. (Fig. 24-25)



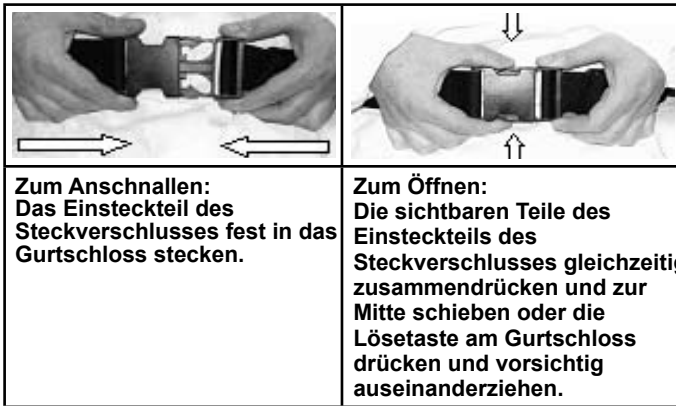
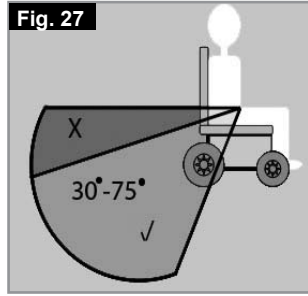
**Passen Sie den Beckengurt wie folgt an den Benutzer an:**

Gurt länger machen	Gurt kürzer machen:	✓
Ausführung A 	Ausführung A 	Ausführung A 
Ausführung B 	Ausführung B 	Ausführung B 
Um den Gurt länger zu machen, übrige Gurtlänge durch die Schlaufen und den Einsteckteil des Steckverschlusses fädeln.	Übrige Gurtlänge durch den Einsteckteil des Steckverschlusses und die Schlaufe zurück fädeln.	Darauf achten, dass der Gurt am Einsteckteil des Steckverschlusses keine Schlinge aufweist.

## Optionen - Beckengurt>>>

Nach dem Anschnallen den Abstand zwischen dem Gurt und dem Benutzer prüfen. Bei richtiger Einstellung passt noch eine Handfläche zwischen den Gurt und den Benutzer. (Fig. 26)

Normalerweise sollte der Beckengurt so angebracht werden, dass sich die Gurte in einem Winkel von ca. 45° befinden; wenn er richtig eingestellt ist, darf der Benutzer im Sitz nicht nach unten rutschen. (Fig. 27)



**Zum Anschnallen:**  
Das Einsteckteil des Steckverschlusses fest in das Gurtschloss stecken.

**Zum Öffnen:**  
Die sichtbaren Teile des Einsteckteils des Steckverschlusses gleichzeitig zusammendrücken und zur Mitte schieben oder die Lösetaste am Gurtschloss drücken und vorsichtig auseinanderziehen.

## HINWEISE FÜR DEN PATIENTEN

### ⚠ GEFAHR!

- Wenn Rollstuhl und Benutzer in einem Fahrzeug transportiert werden, verlassen Sie sich nicht nur auf den Beckengurt, benutzen Sie die separaten Beckengurte und diagonalen Schultergurte im Fahrzeug.
- Wir empfehlen, den Beckengurt vor der Benutzung darauf zu überprüfen, dass er richtig eingestellt ist und keine Behinderung oder übermäßige Abnutzung vorliegt und der Steckverschluss sicher im Gurtschloss einrastet.
- Wenn vor der Fahrt nicht überprüft wird, dass der Beckengurt gesichert und richtig eingestellt ist, könnte das schwere Körperverletzungen des Benutzers verursachen. Wenn z.B. der Gurt zu locker sitzt, kann der Benutzer im Rollstuhl nach unten rutschen und es besteht Erstickungsgefahr.

## WARTUNG:

Prüfen Sie den Beckengurt und die Befestigungsteile in regelmäßigen Abständen auf Verschleißanzeichen oder Schäden. Je nach Bedarf muss er ausgetauscht werden. Den Beckengurt mit warmem Seifenwasser abwaschen und trocknen lassen.

### ⚠ GEFAHR!

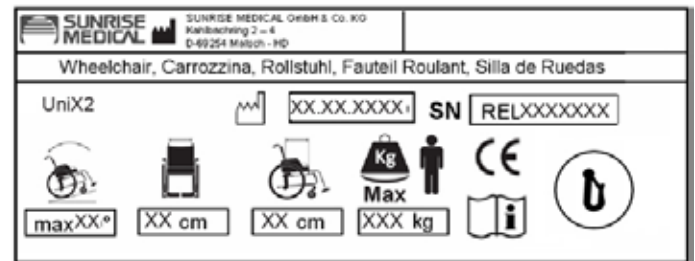
Der Beckengurt muss wie oben beschrieben passend für den Fahrer eingestellt werden. Sunrise Medical empfiehlt auch, die Länge und Passform des Gurts regelmäßig zu überprüfen, um die Gefahr zu verringern, dass der Fahrer den Gurt aus Versehen zu lang einstellt.

Wenn Sie Fragen zur Benutzung und Bedienung des Beckengurts haben, wenden Sie sich an Ihren, Rollstuhlhändler, Pfleger oder an Ihre Begleitperson.

## Typenschild

### TYPENSCHILD

Das Namenschild befindet sich entweder unter der Kreuzstrebeinheit oder am diagonalen Rahmenrohr, auch auf dem Benutzerhandbuch befindet sich ein entsprechendes Etikett. Auf dem Namenschild sind das exakte Modell und andere technische Daten angegeben. Wenn Sie ein Ersatzteil bestellen oder einen Anspruch geltend machen, halten Sie bitte folgende Angaben bereit:



**UniX<sup>2</sup>**  
XXXXX-XXX

Produktbezeichnung/Artikelnummer



Maximale Steigung bzw. maximales Gefälle, das mit den Sicherheitsrädern befahren werden kann, hängt von den Einstellungen des Rollstuhls, der Haltung und den physischen Fähigkeiten des Benutzers ab.



Sitzbreite



Tiefe (maximal).



Maximale Zuladung.



CE-Kennzeichnung.



Gebrauchsanleitung



Crashgetestet



Herstellungsdatum.



Seriennummer

Da wir uns der kontinuierlichen Verbesserung der Konstruktion unserer Rollstühle verschrieben haben, können die technischen Daten etwas von den dargestellten Beispielen abweichen. Bei allen Angaben zu Gewichten/Abmessungen und Leistung handelt es sich um annähernde Werte und sie sind ausschließlich zur Information gedacht.

Sunrise Medical ist mit der Richtlinie 93/42/EWG für Medizinprodukte konform



Alle Rollstühle müssen gemäß den Leitlinien des Herstellers benutzt werden.

Sunrise Medical GmbH & Co.KG  
Kahlbachring 2-4  
69254 Malsch/Heidelberg  
Deutschland  
Tel.: +49 (0) 7253/980-0  
Fax: +49 (0) 7253/980-111  
www.sunrisemedical.de



## Reifen und Montage

### REIFEN UND MONTAGE

Vollgummireifen werden werksseitig als Standardausstattung eingebaut.

Stellen Sie bei Luftreifen sicher, dass die Reifen immer den korrekten Luftdruck aufweisen, da sonst die Leistung des Rollstuhls beeinträchtigt werden kann. Wenn der Druck zu niedrig ist, erhöht sich die Reibung beim Fahren, und der Antrieb erfordert größeren Kraftaufwand. Auch die Manövrierfähigkeit wird von einem zu niedrigen Reifendruck beeinträchtigt. Wenn der Druck zu hoch ist, kann der Reifen platzen. Auf der Reifenoberfläche ist jeweils der korrekte Luftdruck angegeben.

Die Reifen werden wie gewöhnliche Fahrradreifen montiert. Bevor Sie den inneren Schlauch einlegen, achten Sie darauf, dass die Felge und die Innenseite des Reifens von Schmutzpartikeln frei sind. Nach der Montage oder Reparatur des Reifens, muss der Luftdruck geprüft werden. Für Ihre eigene Sicherheit und für die optimale Leistung des Stuhls ist es äußerst wichtig, dass sich die Reifen in gutem Zustand befinden und den vorgeschriebenen Druck aufweisen.

### Tägliche Überprüfungen



Als Benutzer bemerken Sie mögliche Schäden als Erstes. Wir empfehlen daher, dass Sie vor jeder Benutzung die Punkte in der folgenden Liste überprüfen:

- Überprüfen Sie den korrekten Reifendruck.
- Überprüfen Sie, dass die Bremsen richtig funktionieren.
- Überprüfen Sie, ob alle abnehmbaren Teile sicher befestigt sind, z.B. Armlehnen, Fußrasten, Steckachsen usw.
- Überprüfen Sie den Rollstuhl auf sichtbare Schäden, z.B. an Rahmen, Rückenlehne, Sitz- und Rückenbespannung, Rädern, Fußplatte usw. Sollten Sie Schäden oder Funktionsfehler feststellen, wenden Sie sich bitte an Ihren autorisierten Fachhändler.

### Fehlersuche

#### Rollstuhl hat Drall nach einer Seite

- Reifendruck überprüfen (nur bei Luftreifen).
- Prüfen, ob sich das Rad reibungslos dreht (Lager, Achse)
- Prüfen, dass die Lenkräder einheitlich eingestellt sind und richtig auf dem Boden aufliegen.
- Sicherstellen, dass sich die Lager der Lenkradgabel ungehindert drehen können.

#### Lenkräder beginnen zu flattern

- Prüfen, ob alle Bolzen fest sitzen; wenn nötig nachziehen (siehe unter Drehmoment).
- Prüfen, ob beide Lenkräder den richtigen Bodenkontakt haben.

#### Rollstuhl quietscht und klappert

- Prüfen, ob alle Bolzen fest sitzen; wenn nötig nachziehen (siehe unter Drehmoment).
- Etwas Schmieröl auf die Stellen träufeln, wo bewegliche Teile miteinander in Kontakt kommen.

#### Rollstuhl fängt an, zu schlingern

- Den Winkel der Laufradbefestigung prüfen.
- Prüfen Sie alle Reifen auf Abnutzung oder Schäden.
- Prüfen Sie, ob die Hinterräder uneinheitlich eingestellt oder befestigt sind.

### Wartung und Pflege

#### WARTUNG

- Prüfen Sie alle 4 Wochen den Reifendruck. Prüfen Sie alle Reifen auf Abnutzung und Schäden.
- Prüfen Sie etwa alle 4 Wochen die Bremsen, um sicherzustellen, dass sie korrekt funktionieren und leicht zu bedienen sind.
- Wechseln Sie die Reifen, so wie Sie dies mit gewöhnlichen Fahrradreifen machen würden.
- Alle Gelenke, die für den Gebrauch des Rollstuhls wichtig sind, besitzen selbstsichernde Muttern. Bitte prüfen Sie alle drei Monate, ob alle Bolzen fest sitzen (siehe unter Drehmoment). Selbstsichernde Muttern sollten nur einmal verwendet und dann ausgewechselt werden.

- Verwenden Sie nur milde Reinigungsmittel, wenn der Rollstuhl schmutzig ist. Zum Reinigen der Sitzbespannung nur Wasser und Seife benutzen.
- Sollte Ihr Rollstuhl nass werden, trocknen Sie ihn bitte nach dem Gebrauch ab, um Rostbildung und Korrosion durch Salz zu verhindern.
- Alle 8 Wochen sollten die Schnellverschlussachsen mit etwas Nähmaschinenöl geschmiert werden. Je nach der Häufigkeit und Art der Benutzung, empfehlen wir den Rollstuhl alle 6 Monate vom ausgebildeten Personal des zugelassenen Fachhändlers warten zu lassen.



Durch Sand und Meerwasser (oder Salz im Winter) können die Lager der vorderen und hinteren Räder beschädigt werden. Reinigen Sie den Rollstuhl gründlich, wenn er solchen Bedingungen ausgesetzt war.

Die folgenden Teile können abgenommen werden und an den Hersteller / Händler zur Reparatur geschickt werden: Antriebsräder, Armlehne, Fußrastenhalter, Sicherheitsräder Diese Bauteile sind als Ersatzteile erhältlich. Weitere Informationen dazu entnehmen Sie dem Ersatzteilkatalog.

#### HYGIENE BEI WIEDEREINSATZ:

Im Falle eines Wiedereinsatzes sollte dieser Rollstuhl durch eine sorgfältige Wisch- und Sprühdesinfektion aller Flächen, die potentiell mit dem Benutzer in Kontakt kommen können, hygienisch aufbereitet werden.

Wenn eine schnelle Wirkung benötigt ist, muss dafür ein flüssiges Desinfektionsmittel auf Alkoholbasis für medizinische Produkte und Geräte verwendet werden. Bitte beachten Sie die Gebrauchsanweisung des Herstellers für das Desinfektionsmittel, das Sie benutzen.

Bei Nähten kann eine sichere Desinfektion generell nicht gewährleistet werden. Wir empfehlen daher, Sitz- und Rückenbespannung im Falle einer mikrobiellen Kontamination mit Erregern nach § 6 des Infektionsschutzgesetzes zu entsorgen.

#### VERSTAUUNG

Den Rollstuhl bitte trocken lagern bzw. aufbewahren.

### Entsorgung / Recycling von Materialien

**HINWEIS:** Wenn Ihnen der Rollstuhl kostenlos zur Verfügung gestellt wurde, gehört er Ihnen evtl. nicht. Wenn er nicht mehr benötigt wird, befolgen Sie die Anweisungen der Organisation, die den Rollstuhl zur Verfügung gestellt hat, um ihn zurückzugeben.

Im Folgenden werden die Materialien beschrieben, die für den Rollstuhl verwendet wurden im Hinblick auf die Entsorgung oder das Recycling des Rollstuhls und dessen Verpackung. Besondere Vorschriften bezüglich der Entsorgung oder dem Recycling können vor Ort gelten und diese müssen bei der Veranlassung der Entsorgung berücksichtigt werden. (Dazu gehören etwa die Reinigung oder Dekontaminierung des Rollstuhls vor der Entsorgung.)

**Stahl:** Befestigungsteile, Steckachse, Fahrgestell, Schiebegriffe, Lenkradgabel

**Kunststoff:** Handgriffe, Rohrstopfen, Lenkräder, Fußplatten, Armpolster und 12" Rad/Reifen, Räder, Seitenteile.

**Verpackung:** Plastiktüte aus Polyethylen weich, Karton

**Polsterung:** Polyestergerewebe mit PVC-Beschichtung und schwer entflammbarem Schaumstoff.

Die Entsorgung oder das Recycling sollte über eine Entsorgungsfirma oder eine öffentliche Entsorgungsstelle erfolgen. Sie können Ihren Rollstuhl zur Entsorgung auch an Ihren Fachhändler zurückgeben.



## Technische Daten

**MAXIMALE ZULADUNG: 125 KG**

**SIEHE AUCH SEITE 4**


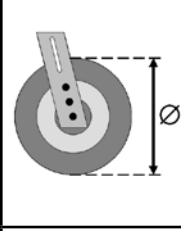
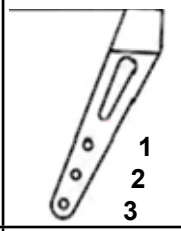
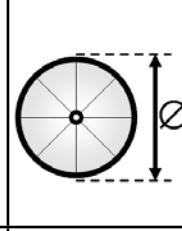
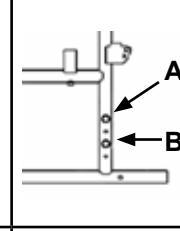
Nach EN12183: 2009 sind alle aufgeführten Teile (Sitz- und Rückenbespannung, Armpolster, Seitenverkleidung...) schwer entflammbar gemäß EN1021-2.

Die dynamische Stabilität an Gefällen hängt von der Konfiguration des Rollstuhls, den Fertigkeiten und dem Fahrstil des Benutzers ab. Da die Fertigkeiten des Benutzers und der Fahrstil nicht vorherbestimmt werden können, kann der Höchstwert für das sichere Gefälle nicht bestimmt werden. Dieser muss vom Benutzer mit Hilfe einer Begleitperson ermittelt werden, um das Umkippen zu verhindern. Für unerfahrene Benutzer wird der Einbau von Sicherheitsrädern dringend empfohlen.

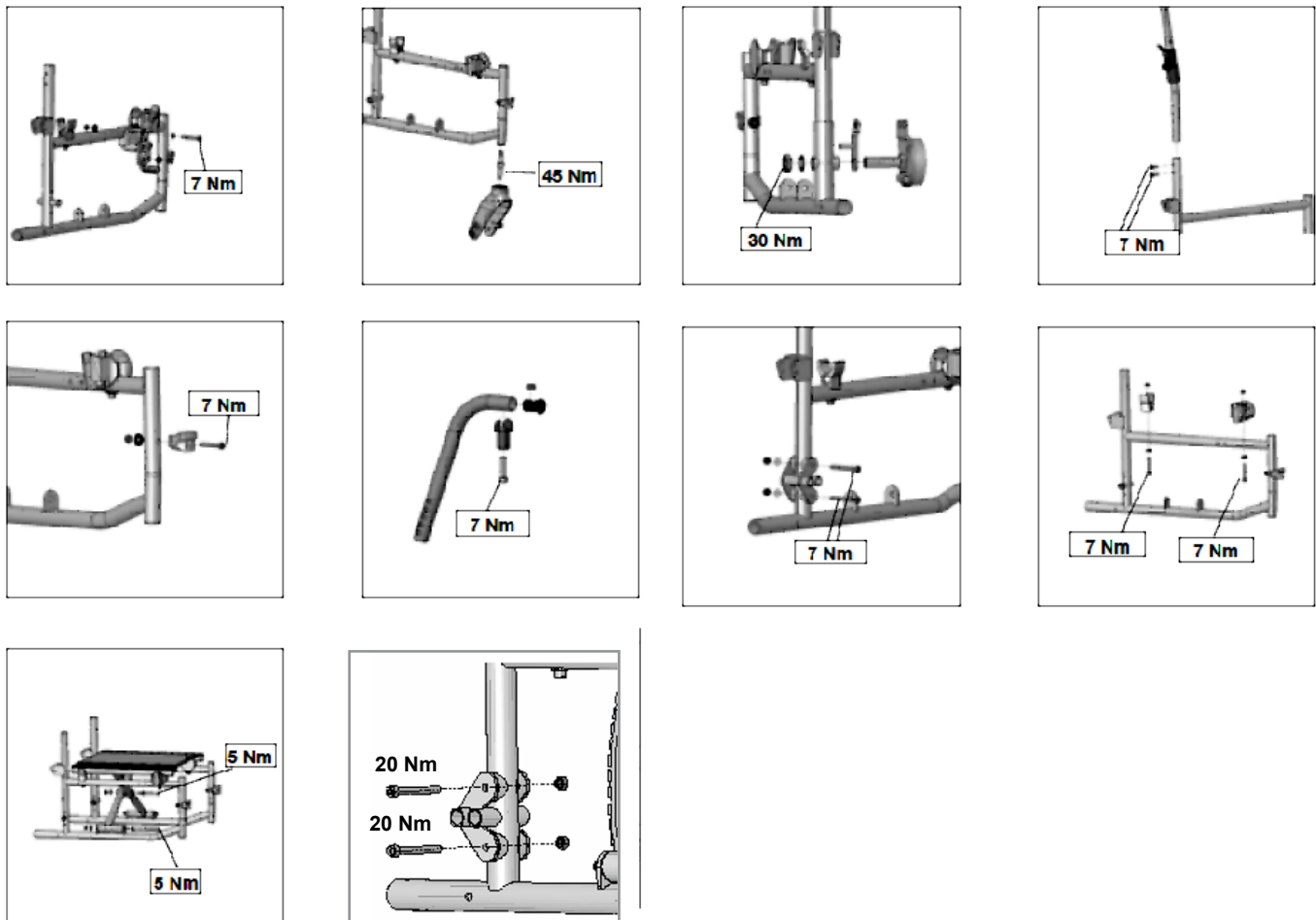
Der Rollstuhl stimmt mit den folgenden Standards überein:

- a) Anforderungen und Testmethoden für statische, Auswirkungs- und Ermüdungsstärke (ISO 7176-8)
- b) Anforderungen für Brandverhalten gemäß ISO 7176-16 (EN 1021-1)

## Sitzhöhenverstellung

				
<b>470 mm</b>	<b>8"</b>	<b>1</b>	<b>24"</b>	<b>A</b>
<b>510 mm</b>	<b>8"</b>	<b>3</b>	<b>24"</b>	<b>B</b>

## Drehmoment



## Prefazione

### GENTILE UTENTE,

ci congratuliamo con Voi per aver scelto un prodotto SUNRISE MEDICAL di alta qualità.

Questo manuale d'uso contiene numerosi suggerimenti ed indicazioni che serviranno a rendere più familiare ed affidabile la Vostra carrozzina.

Desideriamo che siate soddisfatti dei nostri prodotti e dell'assistenza ricevuta. Sunrise Medical lavora costantemente allo sviluppo dei suoi prodotti; è quindi possibile che vengano apportate modifiche alla gamma di prodotti proposti per quanto riguarda la forma, la tecnologia e l'equipaggiamento. Per questa ragione, eventuali reclami basati sui dati e sulle figure riportati in questo manuale d'uso non saranno accettati.

Il sistema di gestione di SUNRISE MEDICAL è certificato secondo gli standard ISO 9001, ISO 13485 e ISO 14001.



In qualità di fabbricante, **SUNRISE MEDICAL** dichiara che le carrozzine sono conformi alla linea guida 93/42/CEE (modificata da 2007/47/CEE).

Per qualsiasi domanda sull'uso, la manutenzione o la sicurezza della Vostra carrozzina Vi preghiamo di rivolgerVi ad un tecnico autorizzato Sunrise Medical.

Se nella Vostra zona non è presente un rivenditore, oppure se avete domande, potete contattare SUNRISE MEDICAL per iscritto o per telefono.

Sunrise Medical S.r.l.  
Via Riva, 20 - Montale  
29122 Piacenza  
Tel: +39 0523 573111  
Tel.: +39 0523 570060  
www.SunriseMedical.com

Annotare l'indirizzo e il numero di telefono del rivenditore nello spazio riportato di seguito.  
In caso di guasto rivolgersi immediatamente al rivenditore fornendo tutti i dettagli pertinenti in modo che possa trovare facilmente una soluzione.

## Spiegazione dei simboli



### IMPORTANTE:

PRIMA DI UTILIZZARE LA CARROZZINA, LEGGERE ATTENTAMENTE IL PRESENTE MANUALE.



### AVVERTIMENTO!

Messaggi di avvertimento relativi a possibili rischi di incidente grave o morte.



### AVVERTENZA!

Messaggi di avvertimento relativi a possibili rischi di lesioni.



### ATTENZIONE!

Messaggi di avvertimento relativi a possibili danni tecnici.

### NOTA:

Informazioni per il funzionamento del prodotto.

## Sommario

<b>Componenti della carrozzina</b>	<b>2</b>
<b>Prefazione</b>	<b>27</b>
<b>Spiegazione dei simboli</b>	<b>27</b>
<b>Sommario</b>	<b>27</b>
<b>Utilizzo</b>	<b>27</b>
<b>Area di applicazione</b>	<b>27</b>
<b>Note generali sulla sicurezza e limitazioni di guida</b>	<b>28</b>
<b>Garanzia</b>	<b>29</b>
<b>Trasportabilità</b>	<b>30</b>
<b>Uso</b>	<b>32</b>
<b>Opzioni - Pedana per il ribaltamento</b>	<b>32</b>
<b>Opzioni - Freni</b>	<b>32</b>
<b>Opzioni - Portastampelle</b>	<b>32</b>
<b>Opzioni - Appoggiapiedi</b>	<b>33</b>
<b>Opzioni - Ruote anteriori</b>	<b>33</b>
<b>Opzioni - Spondine</b>	<b>34</b>
<b>Opzioni - Schienale</b>	<b>34</b>
<b>Opzioni - Tavolino terapeutico</b>	<b>34</b>
<b>Opzioni - Ruotine antiribaltamento</b>	<b>34</b>
<b>Opzioni - Cintura pelvica</b>	<b>34</b>
<b>Targhetta di identificazione</b>	<b>35</b>
<b>Copertoni e montaggio dei copertoni</b>	<b>36</b>
<b>Controlli quotidiani</b>	<b>36</b>
<b>Risoluzione dei problemi</b>	<b>36</b>
<b>Manutenzione e cura</b>	<b>36</b>
<b>Smaltimento / Riciclaggio dei materiali</b>	<b>36</b>
<b>Dati tecnici</b>	<b>37</b>
<b>Regolazione dell'altezza della seduta</b>	<b>37</b>
<b>Coppia di serraggio</b>	<b>37</b>

## Utilizzo

Le carrozzine in acciaio sono destinate esclusivamente all'utilizzo, al chiuso e all'aperto, da parte di utenti non in grado di camminare o con mobilità limitata, su superfici asciutte, pianeggianti e rigide, spinte dall'utente stesso o da un accompagnatore. La portata massima (rappresentata dal peso dell'utente più il peso di eventuali accessori montati sulla carrozzina e di oggetti trasportati dall'utente) è indicata sull'etichetta del numero di serie, situata sulla crociera o sulla barra stabilizzatrice sotto la seduta. La garanzia è valida soltanto se il prodotto viene impiegato alle condizioni indicate e secondo le destinazioni d'uso specifiche. La durata prevista della carrozzina è 5 anni. NON usare o montare componenti di altri produttori sulla carrozzina a meno che non siano stati approvati ufficialmente da Sunrise Medical.

## Area di applicazione

La varietà dell'equipaggiamento e la struttura modulare consentono l'impiego della carrozzina da parte di utenti non in grado di camminare o con mobilità limitata a causa di:

- Paralisi
- Perdita di uno o di entrambi gli arti inferiori (amputazione)
- Difetti/Deformità degli arti inferiori
- Contratture/Danni articolari
- Malattie di tipo cardiaco o circolatorio, disturbo dell'equilibrio o cachessia. È adatta anche per persone più anziane con forza sufficiente nella parte superiore del corpo.

Per la scelta del modello, occorre anche considerare la statura e il peso corporeo, le condizioni psicofisiche, l'età dell'utente e l'ambiente in cui vive.

## Note generali sulla sicurezza e limitazioni di guida

La carrozzina è stata progettata e costruita per garantire la massima sicurezza dell'utente. Tutte le norme sulla sicurezza vigenti a livello internazionale vengono strettamente osservate se non addirittura superate.

Ciononostante l'utente può trovarsi in situazioni di pericolo se la carrozzina viene utilizzata in modo non appropriato. Per garantire la Vostra sicurezza, è assolutamente necessario rispettare le seguenti regole.

Modifiche o regolazioni eseguite in modo errato o da personale non autorizzato aumentano il rischio di incidenti. Quali utenti di una carrozzina, Voi prendete parte alla circolazione stradale. Per questo motivo desideriamo ricordarVi che avete l'obbligo di rispettare le regole vigenti sulla circolazione stradale.

Se usate la carrozzina per la prima volta, guidate con prudenza. Familiarizzate con la nuova carrozzina.

Prima di ogni spostamento, effettuare controlli sulle parti seguenti:

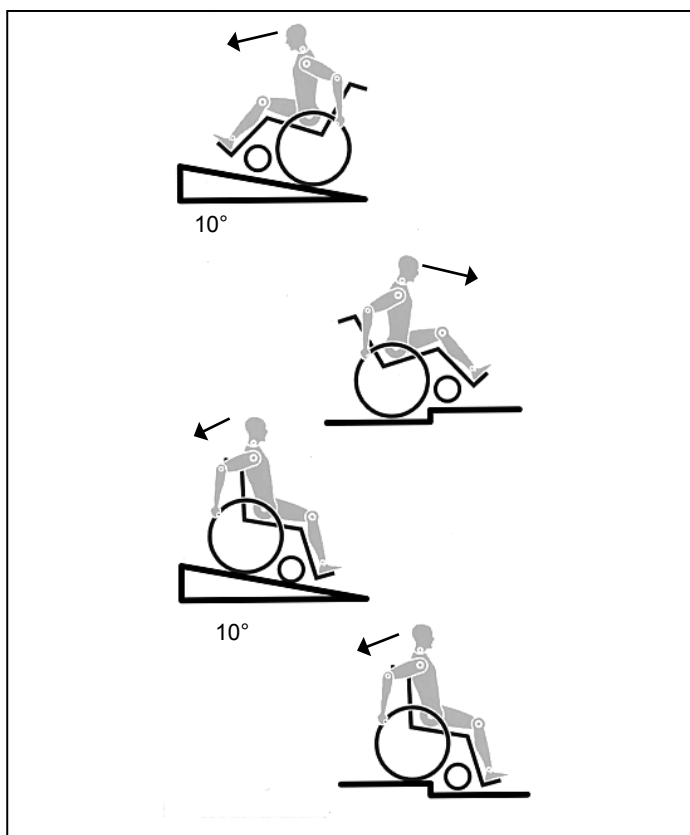
- assi fissi o ad estrazione rapida sulle ruote posteriori
- velcro sulla superficie della seduta e sullo schienale
- copertoni, pressione dei pneumatici e freni.

Prima di procedere ad una qualsiasi modifica delle regolazioni, è importante leggere il relativo capitolo del manuale d'uso.

È possibile che durante percorsi in salita o in discesa la carrozzina possa correre il rischio di ribaltarsi a causa di buche nel terreno o di un fondo irregolare. Per salire su un gradino o percorrere una salita frontalmente, consigliamo di piegare il corpo in avanti.

### AVVERTIMENTO!

- L'utente e gli oggetti eventualmente trasportati sulla carrozzina non devono MAI superare la portata massima di 125 kg. Se si supera la portata massima, la carrozzina può danneggiarsi oppure l'utente può cadere, ribaltarsi o perdere il controllo e causare così lesioni gravi a se stesso o ad altre persone.
- In condizioni di oscurità, si raccomanda di indossare indumenti chiari o con applicazioni riflettenti per essere meglio visibili. Controllare che i catarifrangenti applicati sui lati e sul retro della carrozzina siano ben visibili.
- Si raccomanda anche di montare un fanale.
- Per evitare cadute e situazioni pericolose, esercitarsi inizialmente su un terreno pianeggiante con buona visibilità.
- Non utilizzare l'appoggiapiedi per salire o scendere dalla carrozzina.



- Prima dell'operazione, ribaltare la pedana e ruotarla il più possibile verso l'esterno. Mettersi sempre il più vicino possibile al luogo dove ci si vuole sedere.
- Utilizzare la carrozzina sempre con attenzione. Ad esempio, non cercare di superare un ostacolo (uno scalino o il bordo di un marciapiede) senza frenare ed evitare le buche.
- I freni non sono stati progettati per rallentare la carrozzina. Essi assicurano che le ruote della carrozzina non si muovano in modo inaspettato quando la carrozzina è ferma. Se ci si ferma su una superficie irregolare, azionare sempre i freni per evitare il movimento non desiderato della carrozzina. Ricordiamo di azionare entrambi i freni al fine di evitare il ribaltamento della carrozzina.
- Se viene modificato il centro di gravità, osservare con attenzione come si comporta la carrozzina, ad esempio su pendii, superfici inclinate, pendenze di ogni tipo o quando si superano degli ostacoli. Durante questa operazione, chiedere l'aiuto di un assistente.
- In caso di regolazioni estreme (ad es. se la carrozzina è regolata con le ruote posteriori molto in avanti) e l'utente ha una postura errata, la carrozzina può ribaltarsi anche su una superficie piana.
- Sporgere il tronco in avanti se si sta percorrendo una salita o si deve salire un gradino.
- Sporgere il tronco all'indietro se si sta percorrendo una discesa o si deve scendere da un gradino. Non tentare di salire o scendere diagonalmente.
- Evitare l'uso delle scale mobili, in quanto si potrebbero subire lesioni gravi in caso di caduta.
- Non usare la carrozzina su pendii > 10°. La pendenza superabile in movimento dipende dalla configurazione della carrozzina, dalle capacità dell'utente e dallo stile di guida. Dal momento che non è possibile conoscere in anticipo le capacità dell'utente e il suo stile di guida, la pendenza superabile massima è un parametro che non può essere definito in anticipo e deve pertanto essere determinata dall'utente con l'aiuto di un accompagnatore per evitare di cadere. Si raccomanda agli utenti inesperti di montare le routine antiribaltamento.
- È possibile che durante percorsi in salita o in discesa la carrozzina possa correre il rischio di ribaltarsi a causa di buche nel terreno o di un fondo irregolare.
- Non usare la carrozzina su terreni fangosi o ghiacciati.
- Non usare la carrozzina in aree vietate ai pedoni.
- Per evitare lesioni alle mani non infilare le dita tra i raggi o tra la ruota posteriore e il freno durante la guida.
- In particolare, quando si utilizzano corrimani in metallo leggeri, le dita si surriscaldano facilmente se si frena ad una velocità elevata o su lunghe discese.
- Per salire le scale, chiedere assistenza. Utilizzare gli ausili eventualmente disponibili, ad esempio rampe o ascensori. Se questi ausili non sono disponibili, la carrozzina deve essere inclinata e spinta (mai sollevata) lungo la scala da due persone. Si raccomanda agli utenti di peso superiore ai 100 kg di evitare questa manovra di trasferimento. Se sulla carrozzina sono montate le ruote antiribaltamento assicurarsi che siano regolate in modo che non urtino contro i gradini per evitare cadute. Se sulla carrozzina sono montate le ruote antiribaltamento assicurarsi che siano regolate in modo che non urtino contro i gradini per evitare cadute.
- Assicurarsi che l'accompagnatore tenga la carrozzina utilizzando solo le parti ben fissate. Non usare parti rimovibili (p. es. gli appoggiapiedi o le spondine)

## **AVVERTIMENTO!**

- Quando si utilizza una rampa, assicurarsi che le ruotine antiribaltamento siano posizionate in modo da non essere di intralcio.
- Su terreni impervi o in fase di trasferimento (ad esempio in auto) azionare i freni per bloccare la carrozzina.
- Se e quando possibile, durante il trasporto in un veicolo adeguato per il trasporto di disabili, usare il sedile e il sistema di ritenuta del veicolo. Questo è il solo modo per garantire la massima sicurezza agli occupanti in caso di incidente.
- A seconda del diametro e della regolazione delle ruote anteriori nonché del centro di gravità, le ruote anteriori possono vibrare a velocità elevate e quindi bloccarsi causando il ribaltamento della carrozzina. Assicurarsi pertanto che le ruote anteriori siano regolate correttamente (vedere la sezione "Ruote anteriori").
- In particolare su un pendio viaggiare a velocità ridotta e non utilizzare la carrozzina senza frenarla. Gli utenti inesperti devono utilizzare le ruotine antiribaltamento.
- Le ruotine antiribaltamento impediscono alla carrozzina di ribaltarsi accidentalmente all'indietro. Non utilizzarle mai al posto delle ruote da transito o per trasportare un utente in carrozzina senza le ruote posteriori.
- Per raccogliere oggetti situati davanti, di lato o dietro la carrozzina, non sporgersi troppo dalla carrozzina perché se si cambia il centro di gravità si rischia di cadere o ribaltarsi. Il peso supplementare di uno zaino o altri oggetti appesi ai tubi dello schienale può influire sulla stabilità della carrozzina nella parte posteriore, specialmente quando si usa uno schienale reclinabile. Questo può causare il ribaltamento all'indietro della carrozzina con conseguente rischio di lesioni.
- Per gli utenti con amputazione sopra il ginocchio utilizzare le ruotine antiribaltamento.
- Prima di partire, controllare la pressione dei pneumatici. La pressione delle ruote posteriori deve essere almeno 3,5 bar (350 kPa). La pressione massima è indicata sul pneumatico. I freni funzionano soltanto con un'adeguata pressione dei pneumatici ed una corretta regolazione (vedere il capitolo "Freni").
- Se il rivestimento della seduta o dello schienale risultasse danneggiato, sostituirlo immediatamente.
- Fare attenzione ad evitare il contatto con il fuoco, in particolare con sigarette accese.
- Se la carrozzina è esposta alla luce diretta del sole / a temperature fredde per un lungo periodo di tempo, alcune parti (per es. telaio, pedane, freni e spondine) potrebbero riscaldarsi (>41 °C) o raffreddarsi (<0°) troppo.
- Controllare sempre che gli assi ad estrazione rapida sulle ruote posteriori, se presenti, siano montati correttamente e bloccati (i cuscinetti a sfera bloccanti devono essere visibili completamente attraverso il manicotto dell'asse). Se il pulsante dell'asse ad estrazione rapida non è premuto, la ruota posteriore non può essere rimossa.

## **ATTENZIONE!**

- L'efficienza del freno, come anche la tenuta generale su strada, dipendono dalla pressione dei pneumatici. La carrozzina si manovra molto meglio e più facilmente quando le ruote posteriori sono gonfiate correttamente, entrambe alla stessa pressione.
- Controllare lo stato dei battistrada dei pneumatici!
- Quando si circola su strade pubbliche, si deve rispettare il codice di circolazione stradale.
- Fare sempre attenzione quando si utilizza o si regola la carrozzina!
- Le regolazioni che richiedono l'uso di utensili devono essere sempre eseguite da un tecnico autorizzato.
- Pulire la carrozzina regolarmente per evitare la formazione di ruggine e la corrosione salina.
- Assicurarsi che i rivetti, i dadi e i bulloni siano ben stretti e che i componenti della carrozzina non rischiano di staccarsi.

- Fare attenzione a non rimanere intrappolati con le dita nelle parti mobili. Maneggiare con cura.
- I prodotti illustrati e descritti nel presente manuale possono essere leggermente diversi nei dettagli dal modello in vostro possesso. Tuttavia tutte le istruzioni sono pertinenti, a prescindere dalle differenze nei dettagli.
- Il produttore si riserva il diritto di alterare senza preavviso i pesi, le misure e altri dati tecnici riportati nel presente manuale. Tutte le cifre, le misure e le capacità indicate nel presente manuale sono approssimative e non costituiscono delle specifiche.

### **Durata**

La durata prevista di questo prodotto è 5 anni, sempre che: venga usato nel rigido rispetto dell'uso al quale è destinato vengano soddisfatti tutti i requisiti di assistenza e manutenzione previsti.

## **Garanzia**

### **GARANZIA**

QUESTO NON HA ALCUN EFFETTO SUI VOSTRI DIRITTI LEGALI.

Condizioni della garanzia

1) La riparazione o la sostituzione delle parti in garanzia saranno eseguite da un tecnico o da un rivenditore autorizzato Sunrise Medical.

2) Qualora si rendesse necessario fare esaminare il prodotto durante il periodo di validità della garanzia, avvisare immediatamente il rivenditore autorizzato Sunrise Medical, fornendo tutte le informazioni relative al problema verificatosi. Nel caso in cui l'utente si trovi in una località lontana dalla sede del rivenditore Sunrise Medical di riferimento, la riparazione o la sostituzione prevista dalle condizioni di garanzia potrà essere eseguita da un altro rivenditore designato da Sunrise Medical.

3) Se è necessario fare riparare o sostituire una parte qualsiasi della carrozzina in seguito a un difetto di materiale o di fabbricazione specifico, entro 24 mesi (5 anni per il telaio o la crociera) dalla data di acquisto dell'acquirente originale, e sempre che il prodotto sia ancora di sua proprietà, la parte o le parti saranno riparate o sostituite gratuitamente se inviate al rivenditore autorizzato.

Nota: questa garanzia non è trasferibile.

4) Per qualsiasi componente riparato o sostituito, l'utente beneficerà di queste disposizioni per il periodo rimanente della garanzia applicabile alla carrozzina.

5) I componenti sostituiti dopo la scadenza della garanzia originale sono coperti per altri 12 mesi.

6) Le parti di consumo deperibili non saranno coperte da garanzia durante il normale periodo di garanzia a meno che non presentino chiari segni di logorio eccessivo dovuto direttamente a un difetto di produzione. Queste parti includono, ma non si limitano a: rivestimento di stoffa, pneumatici, camere d'aria e parti simili.

7) Le condizioni della garanzia riportate sopra sono valide per tutte le parti del prodotto, per i modelli acquistati a prezzo pieno.

8) In circostanze normali, non si accetta alcuna responsabilità qualora sia stato necessario riparare o sostituire il prodotto come risultato diretto dei seguenti fattori:

a) Il prodotto o un suo componente non è stato mantenuto in buono stato, o non sono stati effettuati i necessari interventi di manutenzione, secondo le raccomandazioni del produttore, come indicato nel Manuale d'uso e/o nel Manuale tecnico. Non sono state usate solo parti originali.

b) Il prodotto, o parte di esso, ha subito dei danni a causa di negligenza, incidente o uso improprio.

c) Il prodotto, o parte di esso, è stato alterato rispetto alle specifiche del produttore, o le riparazioni sono state eseguite prima di aver avvisato il tecnico autorizzato.

d) Il prodotto presenta segni di corrosione dovuti ad una cattiva manutenzione

## Trasportabilità

### ⚠ AVVERTIMENTO!

Il rischio di gravi lesioni o di decesso aumenta pericolosamente se questa raccomandazione viene ignorata.

### TRASPORTO DELLA CARROZZINA SU UN VEICOLO:

Una carrozzina fissata su un veicolo non fornisce lo stesso livello di protezione e sicurezza del sedile del veicolo stesso. Si raccomanda di utilizzare sempre per l'utente il sedile del veicolo. Poiché non è sempre possibile trasferire l'utente sul sedile del veicolo, qualora sia necessario trasportare l'utente seduto in carrozzina, attenersi alle istruzioni seguenti:

1. verificare che il veicolo sia dotato dell'equipaggiamento adatto per il trasporto di un passeggero seduto in carrozzina ed assicurarsi che le modalità di accesso al veicolo siano idonee al tipo di carrozzina. Il pianale del veicolo deve avere la resistenza necessaria per sostenere il peso complessivo dell'utente, della carrozzina e degli accessori.

2. Attorno alla carrozzina deve essere disponibile uno spazio sufficiente per consentire un facile accesso per agganciare, stringere e sganciare le cinghie di ancoraggio della carrozzina e le cinghie di ritenuta per l'utente.

La carrozzina occupata deve essere rivolta in avanti e fissata con la cinghia di ancoraggio della carrozzina e le cinghie di ritenuta per l'utente (sistemi WTORS che soddisfano i requisiti dello standard ISO 10542 o SAE J2249) in conformità alle istruzioni del produttore dei WTORS.

4. L'utilizzo della carrozzina in altre posizioni, all'interno di un veicolo non è stato testato. Ad esempio, non trasportare mai la carrozzina rivolta lateralmente (Fig. A).

5. La carrozzina deve essere fissata con un sistema di ritenuta ad ancoraggio a norma ISO 10542 o SAE J2249 con cinghie anteriori non regolabili e cinghie posteriori regolabili dotate generalmente di fermi Karabiner/ganci a S e supporti di fissaggio con fibbia e linguetta. Questi sistemi di ritenuta comprendono normalmente 4 cinghie separate da agganciare ciascuna ad un angolo della carrozzina.

6. Le cinghie di ancoraggio devono essere fissate al telaio centrale della carrozzina, come illustrato nell'immagine nella pagina seguente, e non ad altri attacchi o accessori, ad es. non attorno ai raggi delle ruote, ai freni o agli appoggiatesta.

7. Agganciare le cinghie di ancoraggio in modo che l'inclinazione sia il più vicino possibile a un angolo di 45° e stringerle bene seguendo le istruzioni del fabbricante.

8. Non effettuare alterazioni o sostituzioni dei punti di fissaggio o della struttura, del telaio o dei componenti della carrozzina senza consultare il fabbricante. La mancata osservanza di questa avvertenza farà sì che la carrozzina Sunrise Medical non sia più considerata idonea al trasporto su un veicolo a motore.

9. Usare sia la cintura pelvica sia la cintura toracica per assicurare l'utente e ridurre la possibilità di impatto della testa e del torace con i componenti del veicolo e il conseguente grave rischio di lesioni all'utente e agli altri occupanti del veicolo. (Fig. B) La cintura toracica deve essere fissata al montante "B" del veicolo; la mancata osservanza di questa istruzione può aumentare il rischio di gravi lesioni addominali all'utente.

10. Installare un appoggiatesta idoneo per il trasporto (si veda l'etichetta sull'appoggiatesta) e posizionarlo sempre adeguatamente durante il trasporto.

11. Non utilizzare come sistemi di ritenuta in un veicolo in movimento supporti posturali per l'utente (cinghie pelviche, cinture pelviche) che non siano etichettati a norma dei requisiti specificati nello standard ISO 7176-19:2001 o SAE J2249.

12. La sicurezza dell'utente durante il trasporto dipende dall'accuratezza impiegata nell'assicurare le cinghie di ancoraggio. Questa operazione deve essere eseguita da persone che abbiano ricevuto adeguate istruzioni e/o addestramento per l'uso.

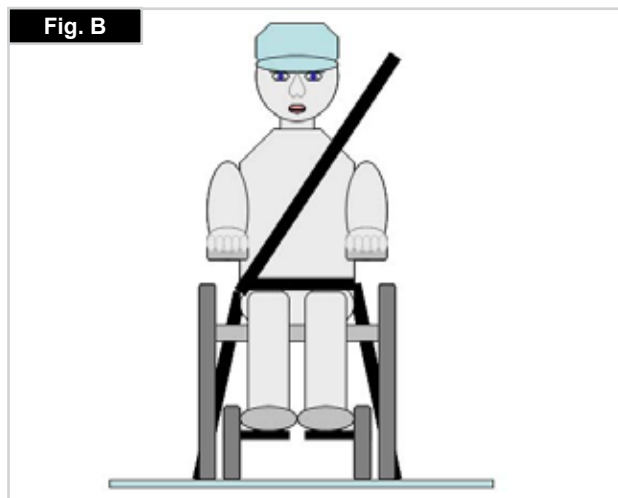
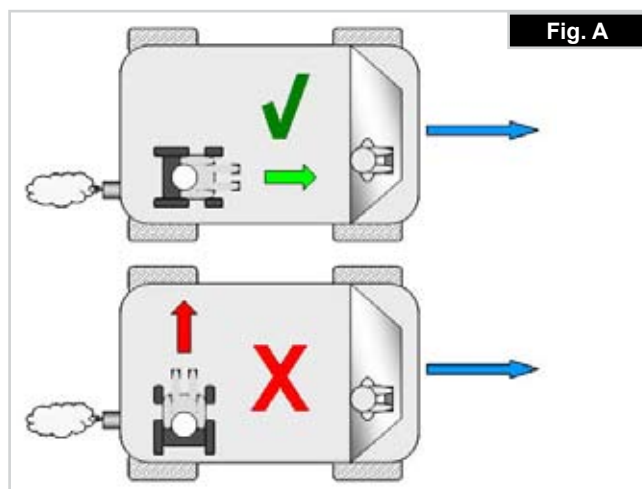
13. Quando possibile, rimuovere e riporre tutta l'attrezzatura ausiliaria della carrozzina, per esempio: portastampelle, cuscini e tavolini.

14. La pedana articolata/elevabile non deve essere usata in posizione elevata durante il trasporto di carrozzina e utente, con la carrozzina fissata mediante i sistemi di ritenuta idonei.

15. Se lo schienale è reclinato, riportarlo in posizione verticale.

16. Il freno deve essere attivato.

17. Fissare i sistemi di ritenuta al montante "B" del veicolo e assicurarsi che tra le cinture e il corpo non vi siano componenti della carrozzina, come bracciali o ruote.



## Trasportabilità >>>

### ISTRUZIONI PER I SISTEMI DI RITENUTA DELL'OCCUPANTE:

1. Indossare la cintura pelvica bene in basso, contro il bacino, in modo che l'angolo in inclinazione sia compreso tra 30 e 75 gradi rispetto al piano orizzontale.

Si consiglia di regolare la cintura in modo che l'angolo sia il più vicino possibile a 75 gradi, ma non li superi. (Fig. C)

2. Far passare la cintura toracica sopra la spalla e lungo il torace come illustrato nelle Figure D ed E

Stringere le cinture di ritenuta il più possibile, assicurando al contempo il comfort dell'utente.

Assicurarsi che le cinture di ritenuta non si attorciglino durante l'uso.

Far passare la cintura di ritenuta della parte superiore del tronco sopra la spalla e lungo il torace come illustrato nelle Figure D ed E.

3. I punti di attacco alla carrozzina sono la parte laterale anteriore interna, appena sopra la ruota anteriore, e la parte laterale posteriore del telaio. Le cinghie sono fissate intorno alle parti laterali del telaio, al punto di intersezione tra i tubi orizzontali e verticali. (Vedere Figg. G - K).

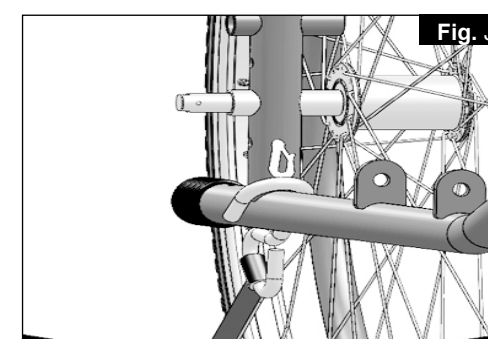
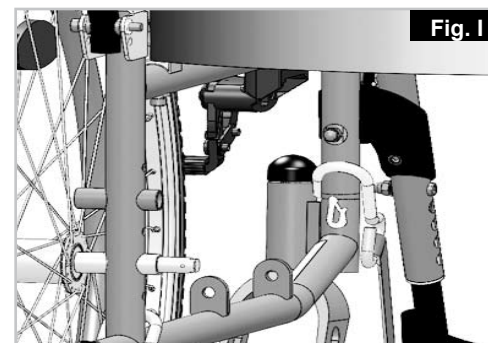
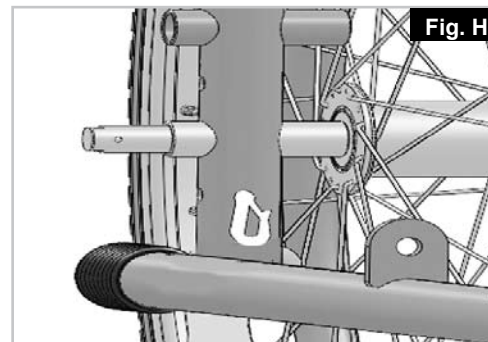
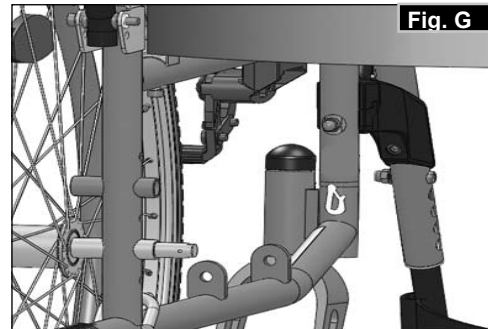
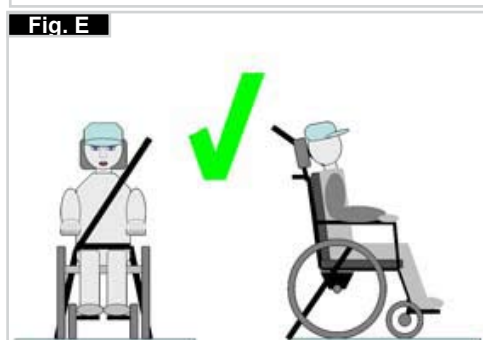
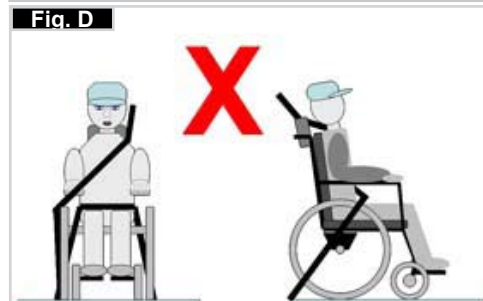
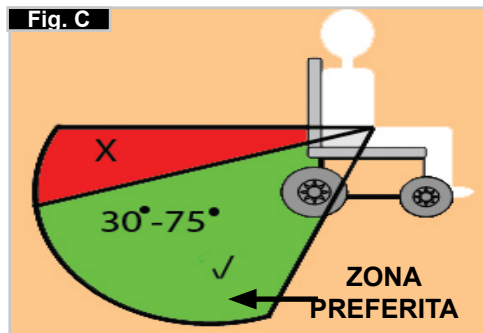
4. Il simbolo di ancoraggio (Fig. F) sul telaio della carrozzina indica la posizione delle cinture di ritenuta. Le cinghie posteriori devono essere messe in tensione dopo avere fissato le cinghie anteriori per fissare la carrozzina.

### Posizionamento delle cinghie di ancoraggio sulla carrozzina

1. Posizione delle etichette di ancoraggio anteriori e posteriori (Fig. G - H).

2. Posizione delle cinghie di ancoraggio anteriore (Fig. I) e posteriore (Fig. J) e dell'etichetta di ancoraggio sulla carrozzina.

3. Vista laterale delle cinghie di ancoraggio (Fig. K).



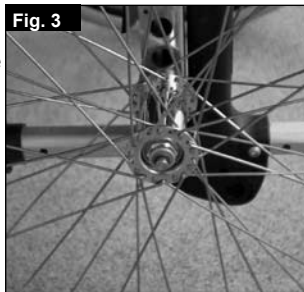
**Uso****CHIUSURA**

Per prima cosa togliere eventualmente il cuscino e lo schienale della carrozzina e ribaltare la pedana o gli appoggiapiedi separati. Afferrare il rivestimento o i tubi della seduta al centro da dietro e tirarli verso l'alto. La carrozzina si richiuderà. A seconda del modello, è possibile rimuovere la pedana per ridurre al minimo l'ingombro, ad es. per trasportare la carrozzina in auto. A questo scopo, sbloccare la leva all'esterno e spostare la pedana lateralmente quindi estrarre la pedana dalla sede (Fig. 1).

**APERTURA**

Premere sui tubi della seduta (vedere figura). La carrozzina si aprirà. Spingere i tubi fino a bloccarli in posizione nel telaio della seduta. Per semplificare questa operazione, tenere la carrozzina inclinata lateralmente in modo da alleggerire il peso su una ruota posteriore. **Fare attenzione a non infilare le dita nella crociera.** Riposizionare il cuscino (Fig. 2).

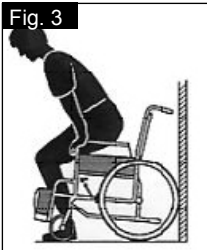
**Perni ad estrazione rapida delle ruote posteriori** Le ruote posteriori sono dotate di un perno ad estrazione rapida. Le ruote possono essere estratte o inserite senza la necessità di utilizzare degli utensili. Per l'estrazione delle ruote è sufficiente premere il pulsante posizionato sul perno ad estrazione rapida (1) ed estrarre la ruota (Fig. 3).

**AVVERTENZA**

**L'inserimento del perno nel supporto deve avvenire premendo il relativo pulsante. Rilasciando il pulsante la ruota si bloccherà all'interno del suo supporto. Il pulsante di blocco deve ritornare nella sua posizione di partenza.**

**Come sedersi da soli in carrozzina (Fig. 3)**

- Spingere la carrozzina contro una parete o un mobile ben solido;
- Assicurarsi che i freni siano azionati;
- Accertarsi che la pedana o gli appoggiapiedi siano sollevati;
- Quindi sedersi in carrozzina;
- Abbassare la pedana ed appoggiare i piedi davanti ai cinturini fermapiedi.

**Come scendere da soli dalla carrozzina (Fig. 4)**

- Assicurarsi che i freni siano azionati;
- Accertarsi che la pedana o gli appoggiapiedi siano sollevati;
- Con le mani appoggiate sui braccioli, piegarsi leggermente in avanti per spostare il peso del corpo verso la parte anteriore della seduta. Quindi appoggiare i piedi per terra, con uno dei due piedi bene indietro, ed alzarsi.

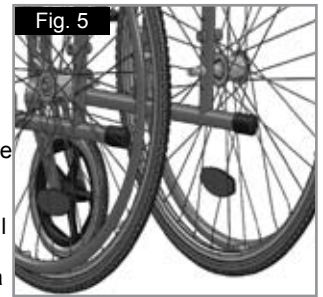
**AVVERTENZA!**

Quando si è in piedi, non appoggiarsi sugli appoggiapiedi o la carrozzina potrebbe ribaltarsi. È più facile e più sicuro sedersi sulla carrozzina se gli appoggiapiedi sono sollevati in modo che non siano di intralcio o staccati dalla carrozzina.

**Opzioni - Pedana per il ribaltamento****PEDANA PER RIBALTAMENTO (FIG. 5)**

La pedana per il ribaltamento della carrozzina è utilizzata dall'accompagnatore per il superamento di un ostacolo. Premere semplicemente con il piede sulla pedana e la carrozzina si inclinerà all'indietro per salire, ad esempio, sul cordolo di un marciapiede.

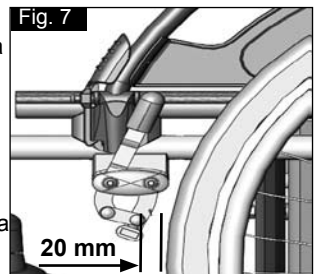
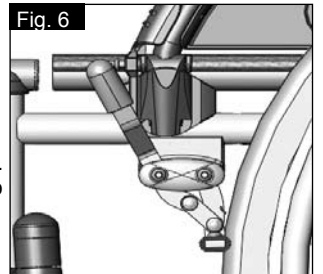
**NOTA:** Sunrise Medical raccomanda di utilizzare la pedana per il ribaltamento su tutti i modelli qualora si preveda l'intervento di un accompagnatore. I tubi dello schienale della carrozzina potrebbero danneggiarsi se vengono utilizzati ripetutamente, senza pedana per il ribaltamento, come leva per il superamento di ostacoli.

**Opzioni - Freni****FRENI**

La carrozzina è dotata di due freni. I freni agiscono direttamente sui pneumatici. Per bloccare la ruota, spostare in avanti entrambe le leve del freno sino al loro arresto. Per sbloccare la ruota, riportare le leve del freno nella posizione di partenza. L'azione dei freni sarà ridotta in caso di:

- profilo consumato dei pneumatici
- insufficiente pressione dei pneumatici
- pneumatici bagnati
- freno regolato non correttamente.

I freni non sono stati progettati per essere azionati quando la carrozzina è in movimento. Non azionare mai i freni durante la guida. Freinare sempre aiutandosi con i corrimani. Verificare che la distanza tra il freno ed il pneumatico sia conforme alle specifiche. Per la regolazione, allentare la vite e regolare la distanza corretta. Avvitare di nuovo la vite (Fig. 6 e 7).

**ATTENZIONE!**

dopo ogni modifica della posizione delle ruote posteriori, controllare la regolazione dei freni e se necessario provvedere nuovamente alla loro regolazione.

**ATTENZIONE!**

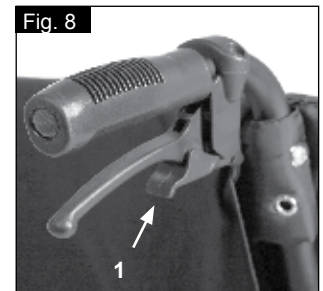
**Se la prolunga del freno viene montata in modo non corretto, sarà necessario uno sforzo maggiore per azionare i freni e ciò potrebbe causare la rottura della prolunga.**

**ATTENZIONE!**

**Non appoggiarsi sulla prolunga del freno mentre si sale e si scende dalla carrozzina, per evitare che si rompa. Gli spruzzi d'acqua provenienti dalle ruote possono causare il malfunzionamento dei freni.**

**FRENI A TAMBURO**

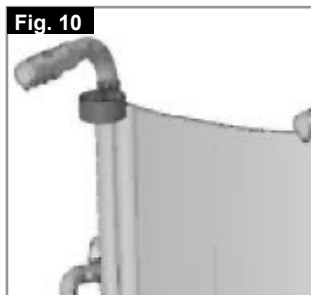
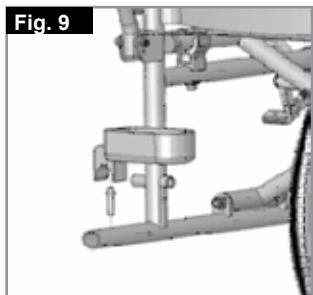
I freni a tamburo permettono all'accompagnatore di frenare in modo funzionale e sicuro. Possono essere azionati con l'ausilio di una leva di blocco (1) per impedire qualsiasi spostamento indesiderato. Lo scatto della leva di blocco deve essere ben udibile. I freni a tamburo funzionano indipendentemente dalla pressione dei pneumatici. La carrozzina non può essere spostata con i freni a tamburo inseriti (Fig. 8).

**ATTENZIONE!**

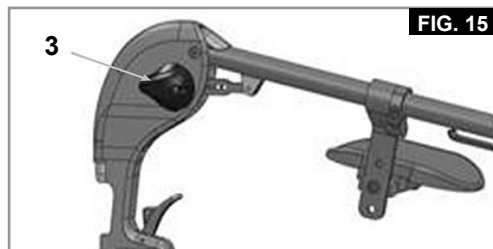
I freni a tamburo devono essere regolati solamente da un tecnico autorizzato.



## Opzioni - Portastampelle



Una volta raggiunto l'angolo desiderato, lasciare andare la leva per bloccare la pedana in una delle posizioni prestabilite.

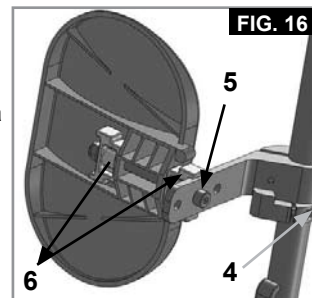


## REGOLAZIONE DELL'APPOGGIAPOLPACCI

(Fig. 16).

L'appoggiapolpacci può essere regolato come segue.  
Altezza: svitare il bullone (4) e spostare il pezzo di bloccaggio nella posizione desiderata. Ruotando il pezzo di bloccaggio si può regolare anche l'angolazione.  
Profondità: svitare il bullone (5) e spostare l'appoggiapolpacci nella posizione desiderata.

Larghezza: svitare il bullone (5) e spostare gli spaziatori (6) dietro l'appoggiapolpacci per raggiungere la posizione desiderata.



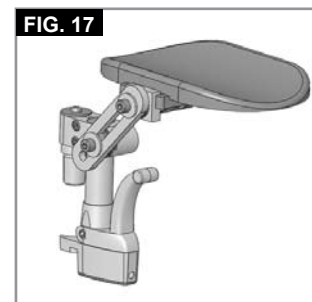
### ⚠ AVVERTENZA!

- Tenere le mani lontano del meccanismo di regolazione tra il telaio e le parti mobili della pedana mentre si alza o si abbassa la pedana.
- Assicurarsi che i dispositivi di fissaggio siano bloccati in posizione.
- Le pedane non devono essere usate per sollevare o trasportare la carrozzina.
- Fare attenzione a non schiacciarsi le dita! Quando si muove la pedana verso l'alto o verso il basso, non infilare le dita nel meccanismo di regolazione tra le parti mobili.

## SUPPORTO PER AMPUTATI

(Fig. 17).

Il supporto per amputati può essere regolato in tutte le direzioni, a seconda delle esigenze.



## Opzioni - Ruote anteriori

### RUOTE ANTERIORI, PIASTRA DI REGOLAZIONE DELLA RUOTA ANTERIORE, FORCELLA DELLA RUOTA ANTERIORE

È possibile che la carrozzina viri leggermente verso destra o sinistra o che sia presente una vibrazione delle ruote anteriori. I motivi possono essere i seguenti:

- il movimento della ruota in avanti o all'indietro non è correttamente regolato
- La campanatura non è regolata correttamente.
- La pressione delle ruote posteriori e/o delle ruote anteriori non è corretta; le ruote non girano con facilità.

Una regolazione adeguata delle ruote anteriori è la condizione essenziale per il movimento rettilineo della carrozzina. La regolazione delle ruote anteriori deve essere sempre eseguita da un tecnico autorizzato. Ogni volta che la posizione delle ruote posteriori viene modificata bisogna sempre regolare i freni nuovamente.

L'altezza della seduta è determinata dalla posizione delle ruote anteriori e posteriori. Modificando la posizione delle ruote posteriori e anteriori è possibile regolare l'altezza della seduta

### ⚠ AVVERTENZA!

Dopo avere regolato l'altezza della seduta, stringere nuovamente tutte le viti e regolare nuovamente i freni.

Le ruote anteriori vanno impostate a 90 gradi

## Opzioni - Appoggiapiedi

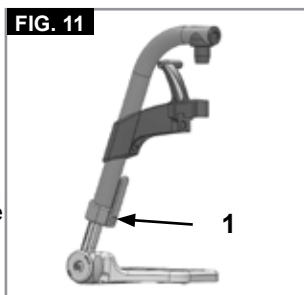
### APPOGGIAPIEDI:

Gli appoggiapiedi possono essere sollevati per facilitare i trasferimenti nella carrozzina.

Ciascuna parte pesa 1,0 kg

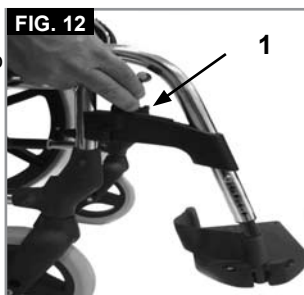
### LUNGHEZZA PEDANA:

Per utenti con gambe più lunghe la pedana può essere abbassata all'altezza desiderata utilizzando le viti (1). Allentare le viti, sistemare i tubi nella posizione desiderata, quindi stringere le viti (vedere la sezione sulle coppie di serraggio). Devono esserci sempre almeno 3 cm tra la pedana e il terreno, (Fig. 11).



### APPOGGIAPIEDI E RELATIVO FERMO

Le pedane possono essere ruotate verso l'interno, sotto la seduta, o verso l'esterno. Quando si monta la pedana, assicurarsi che gli appoggiapiedi siano rivolti verso l'interno o verso l'esterno, quindi ruotarla verso l'interno fino a quando non si blocca in corrispondenza del bullone di bloccaggio. Per estrarla, tirare la leva (1), ruotare la pedana verso l'interno o verso l'esterno, quindi staccarla. Assicurarsi che la pedana sia correttamente bloccata in posizione, (Fig. 12).



### ⚠ ATTENZIONE!

- La pedana non deve essere usata per sollevare o trasportare la carrozzina.
- Non utilizzare l'appoggiapiedi per salire o scendere dalla carrozzina. Prima dell'operazione, ribaltare l'appoggiapiedi e ruotare la pedana il più possibile verso l'esterno.

### PEDANA ELEVABILE

(Fig. 13-15)

Per estrarla, tirare la leva (1), ruotare la pedana verso l'esterno, quindi staccarla.

### REGOLAZIONE DELL'ALTEZZA:

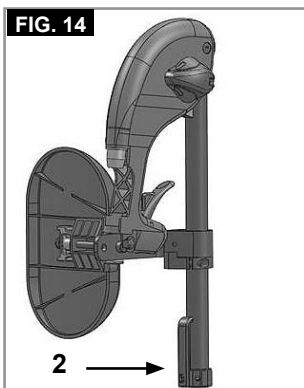
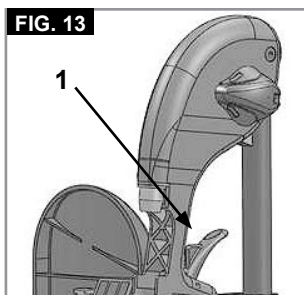
Allentando la vite (2) è possibile regolare la lunghezza della pedana con continuità. Regolare all'altezza desiderata e stringere la vite.

### ⚠ ATTENZIONE!

La distanza tra la pedana e il terreno deve essere di almeno 40 mm.

### REGOLAZIONE DELL'ANGOLO:

Spingere la leva (3) verso il basso con una mano, sostenendo il peso dalla pedana con l'altra mano.



## Opzioni - Spondine

### SPONDINE STANDARD, RIBALTABILI, CON BRACCIOLI LUNGI O CORTI

Le spondine hanno bordi smussati per potersi avvicinare ad un tavolo.

Per ribaltare il bracciolo, spingere la leva (1) in modo che la spondina si sblocchi (Fig. 18).

Per regolare la lunghezza del bracciolo, allentare le viti (2), spostare il bracciolo nella posizione desiderata e quindi stringere le viti (Fig. 19).



#### ⚠ AVVERTENZA!

Non utilizzare le spondine o i braccioli per sollevare o trasportare la carrozzina.

### SPONDINE RIBALTABILI, CON BRACCIOLI CORTI O LUNGI ESTRAIBILI, REGOLABILI IN ALTEZZA

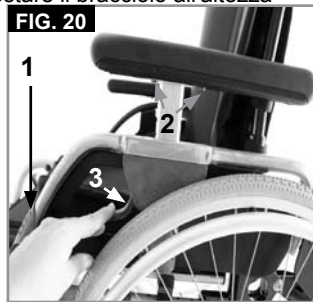
L'altezza del bracciolo può essere regolata come segue.

Spingere la leva verso il basso e spostare il bracciolo all'altezza desiderata (3).

Rilasciare la leva e premere il bracciolo verso il basso fino a quando si blocca in posizione. Controllare sempre che le spondine siano inserite correttamente.

Per ribaltare il bracciolo, spingere la leva (1) in modo che la spondina si sblocchi.

Per regolare la lunghezza del bracciolo, allentare le viti (2), spostare il bracciolo nella posizione desiderata e quindi stringere le viti (Fig. 20).



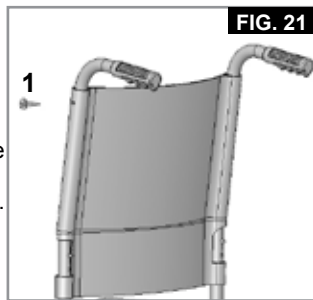
#### ⚠ AVVERTENZA!

Non utilizzare le spondine o i braccioli per sollevare o trasportare la carrozzina.

## Opzioni - Schienale

### SCHIENALE REGOLABILE IN ALTEZZA

L'altezza dello schienale può essere impostata in 2 posizioni diverse (41 cm e 42,5 cm). Allentare e rimuovere i bulloni (1) e spingere il tubo dello schienale nella posizione desiderata. Stringere i bulloni (Fig. 21).



## Opzioni - Tavolino terapeutico

### TAVOLINO TERAPEUTICO

Il tavolino serve come superficie per lo svolgimento di varie attività. Prima dell'uso, il tavolino deve essere regolato in base alla larghezza della seduta da un tecnico autorizzato. Questa regolazione va eseguita con l'utente seduto sulla carrozzina (Fig. 22).



## Opzioni - Ruotine antiribaltamento

### RUOTINE ANTIRIBALTAMENTO

Le ruotine antiribaltamento offrono un'ulteriore sicurezza per gli utenti inesperti che stanno imparando ad usare la carrozzina. Le ruotine evitano che la carrozzina si ribalti all'indietro.



Spingere il pulsante di blocco (1), per sollevare o rimuovere le ruotine di sicurezza. Devono esserci sempre 3 - 5 cm tra il tubo e il terreno. Ruotare le ruotine verso l'alto quando si affrontano ostacoli ingombranti (come un marciapiede) per evitare che tocchino terra. Quindi girare le ruotine verso il basso nella posizione normale (Fig. 23).

#### ⚠ AVVERTENZA!

Se le ruotine antiribaltamento sono posizionate in modo non corretto è più probabile che la carrozzina si ribalti all'indietro.

## Opzioni - Cintura pelvica

#### ⚠ AVVERTENZA!

Prima di usare la carrozzina assicurarsi che la cintura pelvica sia indossata e regolata correttamente.

La cintura pelvica va fissata alla carrozzina come mostrato nelle figure. La cintura pelvica è composta da due parti, fissate con il bullone di fermo del bracciolo infilato nell'occhiello della cintura. La cintura viene fatta passare sotto la parte posteriore del pannello laterale.

Regolare la posizione della cintura in modo che le due parti della fibbia si trovino al centro della seduta.

(Figg. 24-25)



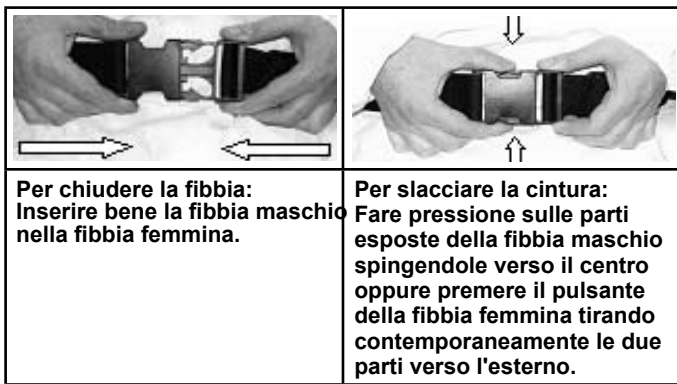
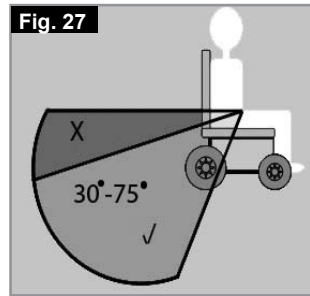
### Regolare la cintura pelvica per adattarla alle esigenze dell'utente nel modo seguente:

Per aumentare la lunghezza della cintura:	Per diminuire la lunghezza della cintura:	✓
<p>Tipo A</p>	<p>Tipo A</p>	<p>Tipo A</p>
<p>Tipo B</p>	<p>Tipo B</p>	<p>Tipo B</p>
Far passare la cintura attraverso le guide di regolazione e la fibbia maschio per allungare la cintura.	Far ripassare la cintura attraverso la fibbia maschio e le guide di regolazione.	Controllare che la cintura non sia arrotolata sulla fibbia maschio.

## Opzioni - Cintura pelvica>>>

Quando si allaccia la cintura, controllare lo spazio tra la cintura e l'utente; se la regolazione è corretta, deve essere possibile infilare una mano. (Fig. 26)

Normalmente la cintura pelvica deve essere fissata in modo che le cinghie formino un angolo di circa 45 gradi e, se regolata correttamente, non permetta all'utente di scivolare in avanti. (Fig. 27)



**Per chiudere la fibbia:**  
Inserire bene la fibbia maschio nella fibbia femmina.

**Per slacciare la cintura:**  
Fare pressione sulle parti esposte della fibbia maschio spingendole verso il centro oppure premere il pulsante della fibbia femmina tirando contemporaneamente le due parti verso l'esterno.

## CONSIGLI PER IL CLIENTE

### ⚠ AVVERTIMENTO!

- Non fare affidamento solamente sulla cintura pelvica durante il trasporto dell'utente in carrozzina in un veicolo. Utilizzare il sistema di ritenuta per il passeggero fornito nel veicolo.
- Prima dell'uso, si raccomanda di controllare la cintura per verificare che sia regolata correttamente e priva di ostacoli o segni di usura e che la fibbia si chiuda bene.
- La mancata verifica della sicurezza e della regolazione della cintura pelvica prima dell'uso può causare gravi lesioni all'utente. Per esempio, se la cintura è allentata eccessivamente, l'utente potrebbe scivolare in avanti sulla carrozzina e rischiare il soffocamento.

## MANUTENZIONE:

Controllare regolarmente la cintura pelvica e i componenti di fissaggio e assicurarsi che non siano logori o danneggiati. Se necessario, sostituirli. Pulire la cintura pelvica con acqua insaponata tiepida e lasciare asciugare.

### ⚠ AVVERTIMENTO!

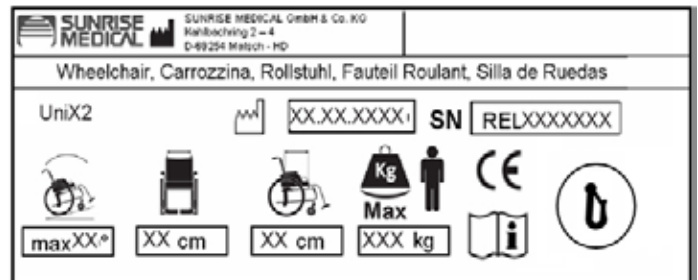
Regolare la cintura pelvica in base alle necessità dell'utente come descritto precedentemente. Poiché l'utente potrebbe inavvertitamente allentarla, Sunrise Medical raccomanda di controllare regolarmente la lunghezza e la posizione della cintura pelvica. In caso di dubbi sull'uso e il montaggio della cintura di sicurezza, rivolgersi al personale sanitario, al rivenditore, all'assistente o all'accompagnatore.

## Targhetta di identificazione

### TARGHETTA DI IDENTIFICAZIONE

L'etichetta di identificazione è applicata sulla crociera e sul manuale d'uso. Su questa targhetta sono riportati i dati tecnici. In caso di ordine di ricambi o di reclamo è necessario comunicare i seguenti dati:

**CAMPIONE**



<b>UniX<sup>2</sup></b> XXXXX-XXX	Nome del prodotto/codice articolo
	La pendenza superabile massima dipende dall'assetto della carrozzina, dalla postura e dalle capacità fisiche dell'utente
	Larghezza seduta
	Profondità (massima).
	Portata massima.
	Marchio CE
	Guida per l'utente.
	Crash Test superato
	Data di produzione.
<b>SN</b> RELXXXXXX	Numero di serie.

In linea con la nostra politica di continuo miglioramento nel design delle carrozzine, le specifiche del prodotto possono differire leggermente dagli esempi illustrati. I pesi, le dimensioni e i dati prestazionali sono approssimati e forniti solo a scopo indicativo. Sunrise Medical è conforme ai requisiti della direttiva europea sui dispositivi medici 93/42/CEE

**CE** Tutte le carrozzine devono essere usate secondo le linee guida del produttore.

Sunrise Medical GmbH & Co.KG  
Kahlbachring 2-4  
69254 Malsch/Heidelberg  
Germania  
Tel.: +49 (0) 7253/980-0  
Fax: +49 (0) 7253/980-111  
www.SunriseMedical.com

## Copertoni e montaggio dei copertoni

### COPERTONI E MONTAGGIO DEI COPERTONI

Le ruote piene sono montate di serie durante la produzione.

Verificate che la pressione dei copertoni durante l'utilizzo sia sempre quella corretta. Una pressione inadeguata può compromettere le prestazioni della carrozzina. Se la pressione è troppo bassa, sarà necessario applicare una forza maggiore per muovere la carrozzina poiché la resistenza al rotolamento è maggiore. La manovrabilità della carrozzina ne risulterà compromessa. Se la pressione è troppo alta si rischia lo scoppio del copertone. La pressione corretta è riportata su ogni singolo copertone.

Il montaggio o la riparazione dei copertoni avviene come per qualsiasi tradizionale copertone da bicicletta. Prima del montaggio della nuova camera d'aria verificare che nel canale del cerchione e nella parete interna del copertone non siano presenti corpi estranei. Dopo il montaggio o la riparazione controllare la pressione del copertone. La regolazione della pressione ai valori indicati e il buono stato dei copertoni sono condizioni importanti per la sicurezza e per le prestazioni della carrozzina.

### Controlli quotidiani

#### ATTENZIONE!

L'utente è la prima persona ad accorgersi di eventuali difetti. Prima di ogni uso, si raccomanda di controllare quanto segue:

- controllare che la pressione dei pneumatici sia corretta
  - controllare che i freni funzionino correttamente
  - controllare che le parti rimovibili siano ben fisse (ad es. braccioli, pedana, asse a sgancio rapido, ecc.)
  - verificare l'assenza di danni visibili, ad es. su telaio, schienale, rivestimento della seduta e dello schienale, ruote, pedana, ecc.)
- In caso di danni o malfunzionamento, contattare il rivenditore autorizzato di fiducia.

### Risoluzione dei problemi

#### Se la carrozzina tende a muoversi lateralmente

- Controllare la pressione dei pneumatici.
- Controllare il regolare rotolamento della ruota (cuscinetti, asse)
- Controllare che entrambe le ruote anteriori siano impostate in modo corretto e a contatto con il terreno.
- Verificare che i cuscinetti della forcella siano liberi di ruotare.

#### Se le ruote anteriori vibrano

- Controllare che le viti siano serrate correttamente; se necessario, stringerle nuovamente (vedere la sezione relativa alla coppia di serraggio)
- Controllare che entrambe le ruote anteriori siano a contatto con il terreno

#### Se la carrozzina cigola e scricchiola

- Controllare che le viti siano serrate correttamente; se necessario, stringerle nuovamente (vedere la sezione relativa alla coppia di serraggio)
- Applicare una quantità minima di lubrificante sulle giunzioni delle parti mobili.

#### Se la carrozzina oscilla

- Controllare l'angolo di impostazione delle ruote anteriori
- Controllare inoltre l'usura o l'eventuale presenza di danni su tutti i copertoni.
- Controllate che le ruote posteriori non siano state regolate o montate in modo differente una dall'altra.

### Manutenzione e cura

#### MANUTENZIONE

- Ogni 4 settimane controllare la pressione dei copertoni. Controllare inoltre l'usura o l'eventuale presenza di danni su tutti i copertoni.
  - Ogni 4 settimane verificare il corretto funzionamento e la manovrabilità dei freni.
  - La sostituzione dei copertoni avviene come per qualsiasi tradizionale copertone da bicicletta.
  - Tutte le parti snodabili della carrozzina vengono dotate di collegamenti a vite autobloccanti per garantire la massima sicurezza. Si prega di verificare ogni 3 mesi il corretto serraggio di tutti i collegamenti a vite (vedere la sezione relativa alla coppia di serraggio).
- I dadi di sicurezza devono essere utilizzati una sola volta e sostituiti dopo l'uso.

- Se la carrozzina è sporca, pulirla solamente con un detergente non corrosivo. Per la pulizia del telo della seduta e della cintura pelvica utilizzare esclusivamente acqua e sapone.
- Se la carrozzina dovesse bagnarsi, asciugarla immediatamente dopo l'uso per evitare la formazione di ruggine e la corrosione salina.
- Gli assi ad estrazione rapida devono essere lubrificati ogni 8 settimane circa utilizzando una minima quantità di olio per macchine da cucire. A seconda della frequenza e del modo in cui la carrozzina viene utilizzata, consigliamo di sottoporla ogni sei 6 mesi ad un controllo specializzato presso il rivenditore di fiducia.

#### ATTENZIONE!

Sabbia ed acqua marina (o in inverno il sale per sciogliere il ghiaccio) danneggiano i cuscinetti delle ruote anteriori e delle ruote posteriori. Per evitare danni derivanti dall'esposizione a questi agenti, provvedere immediatamente ad una accurata pulizia della carrozzina.

Le seguenti parti possono essere rimosse ed inviate al rivenditore per la riparazione:

Ruote posteriori, braccioli, pedana, ruotine antiribaltamento. Questi componenti sono disponibili come pezzi di ricambio. Per ulteriori dettagli contattare il rivenditore autorizzato.

### IGIENE IN CASO DI UTILIZZO DA PARTE DI UN ALTRO UTENTE:

Prima che la carrozzina venga riutilizzata da un altro utente, prepararla adeguatamente, spolverando e trattando con disinfettante spray tutte le superfici che entrano a contatto con l'utente.

A questo scopo, usare un prodotto liquido a base di alcol per la disinfezione rapida dei prodotti medici, per un'azione veloce.

Osservare le istruzioni del fabbricante per il disinfettante impiegato. Normalmente non è possibile garantire una disinfezione sicura sulle cuciture. Pertanto, raccomandiamo di cambiare ed eliminare in modo appropriato i teli di rivestimento di seduta e schienale in caso di contaminazione microbatterica con agenti attivi, conformemente alle norme vigenti.

### IMMAGAZZINAGGIO

Riporre sempre la carrozzina in un luogo asciutto.

### Smaltimento / Riciclaggio dei materiali

**NOTA:** Se la carrozzina è stata messa a disposizione gratuitamente, potrebbe non essere di proprietà dell'utente. Se non è più necessaria, seguire le istruzioni fornite dall'organizzazione che ha messo a disposizione la carrozzina per la restituzione.

Di seguito vengono descritti i materiali usati per la carrozzina e l'imballaggio e come devono essere smaltiti e riciclati. Quando si organizza lo smaltimento, considerare gli eventuali regolamenti specifici in vigore localmente per lo smaltimento dei rifiuti o il riciclaggio. (Questo può includere la pulizia o la disinfezione della carrozzina prima dello smaltimento).

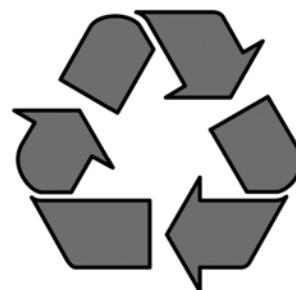
**Alluminio:** dispositivi di fissaggio, asse ad estrazione rapida, teli delle spondine, telai dei braccioli, pedana, manopole di spinta.

**Plastica:** maniglie, forcelle delle ruote anteriori, fermatubi, ruote anteriori, appoggiatesta, imbottiture dei braccioli e ruote/pneumatici da 12", ruote, spondine.

**Imballaggio:** sacco in polietilene a bassa densità, scatola di cartone

**Rivestimento:** poliestere tessuto con rivestimenti in PVC e schiuma modificata da combustione espansa.

Per lo smaltimento o il riciclaggio rivolgersi ad un centro di smaltimento autorizzato. In alternativa, la carrozzina può essere restituita al rivenditore per essere smaltita.



## Dati tecnici

**PORTATA MASSIMA: 125 KG**

**VEDERE ANCHE PAGINA 4**

In conformità allo standard EN12183: 2009, tutte le parti qui elencate (teli seduta/schienale, imbottiture braccioli, pannelli laterali ecc) sono resistenti al fuoco ai sensi della norma EN1021-2.

La pendenza superabile in movimento dipende dalla configurazione della carrozzina, dalle capacità dell'utente e dallo stile di guida. Dal momento che non è possibile conoscere in anticipo le capacità dell'utente e il suo stile di guida, la pendenza superabile massima è un parametro che non può essere definito in anticipo e deve pertanto essere determinata dall'utente con l'aiuto di un accompagnatore per evitare cadute. Si raccomanda agli utenti inesperti di montare le ruotine antiribaltamento.

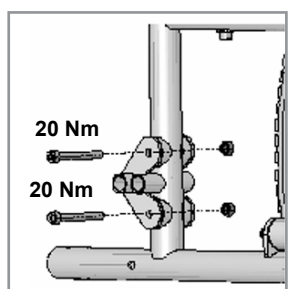
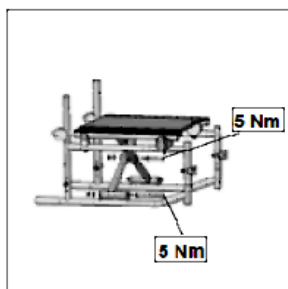
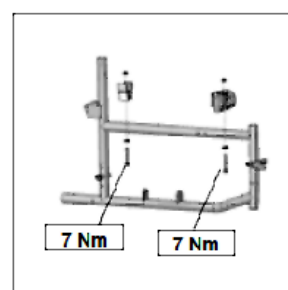
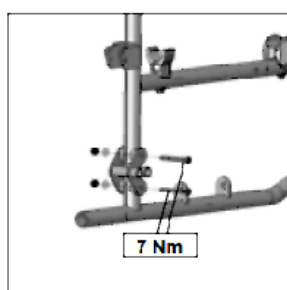
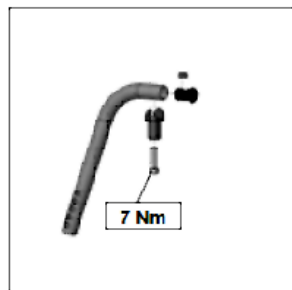
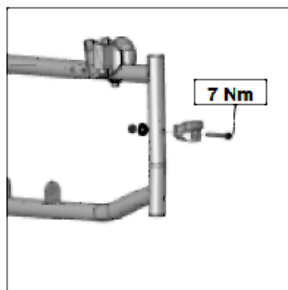
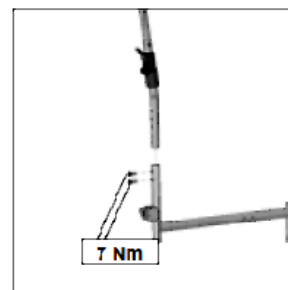
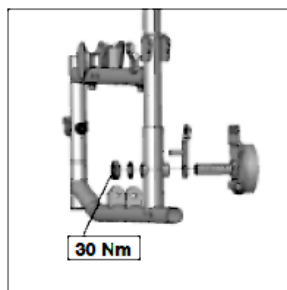
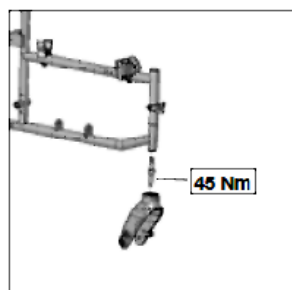
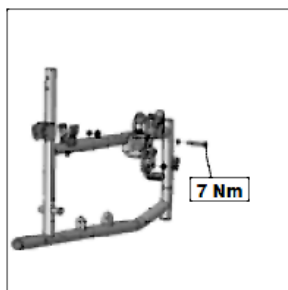
La carrozzina è conforme ai seguenti standard:

- a) Requisiti e norme per la resistenza statica, resistenza all'urto e all'usura (ISO 7176-8)
- b) Requisiti di resistenza all'infiammabilità conformi allo standard ISO 7176-16 (EN 1021-1)

## Regolazione dell'altezza della seduta

470 mm	8"	1	24"	A
510 mm	8"	3	24"	B

## Coppia di serraggio



## Wstęp

### SZANOWNI UŻYTKOWNICY,

Cieszymy się bardzo, że Wybraliście Państwo produkt wysokiej jakości SUNRISE MEDICAL.

Niniejsza instrukcja użytkowania zawiera wskazówki i sugestie, które sprawią, że Wasz nowy wózek inwalidzki stanie się godnym zaufania i niezawodnym partnerem w życiu codziennym.

Pragniemy, aby użytkownicy byli zadowoleni z naszych produktów i obsługi. Sunrise Medical nieprzerwanie pracuje nad ciągłym udoskonalaniem swoich produktów. Dlatego też, w naszej ofercie mogą następować zmiany dotyczące wzornictwa, rozwiązań technicznych i wyposażenia. W konsekwencji, zawarte w niniejszej instrukcji dane i ilustracje nie mogą stanowić podstawy do reklamacji.

SUNRISE MEDICAL posiada certyfikaty ISO 9001, ISO 13485 i ISO 14001 na stosowany system zarządzania.



Jako producent wózków inwalidzkich, SUNRISE MEDICAL deklaruje, że spełniają one wymagania dyrektywy 93/42/EWG, zmodyfikowanej przez wytyczną 2007/47/EWG.

W sprawie pytań dotyczących używania, konserwacji lub bezpieczeństwa wózków prosimy o kontakt z lokalnym autoryzowanym sprzedawcą SUNRISE MEDICAL.


Jeżeli w Waszym rejonie nie ma autoryzowanego sprzedawcy, prosimy kierować pytania pisemnie lub telefonicznie bezpośrednio do SUNRISE MEDICAL (adresy kontaktowe znajdują się na odwrotnej stronie).


Sunrise Medical GmbH & Co.KG  
Kahlbachring 2-4  
69254 Malsch/Heidelberg  
Germany  
Tel.: +49 (0) 7253/980-0  
Fax: +49 (0) 7253/980-111  
www.sunrisemedical.com


Poniżej należy zanotować adres i numer telefonu lokalnego punktu serwisowego.


W przypadku uszkodzenia należy skontaktować się z tym punktem i postarać się przedstawić wszystkie ważne szczegóły, co przyspieszy udzielenie pomocy.

## Legenda symboli

**WAŻNE:**  
 ZABRANIA SIĘ UŻYTKOWANIA WÓZKA BEZ PRZECZYTANIA I ZROZUMIENIA NINIEJSZEJ INSTRUKCJI.

 **NIEBEZPIECZEŃSTWO!**  
Informacje ostrzegające o potencjalnym ryzyku poważnego wypadku lub śmierci.

 **OSTRZEŻENIE!**  
Informacje ostrzegające o potencjalnym ryzyku obrażeń.

 **PRZESTROGA!**  
Informacje ostrzegawcze o potencjalnych problemach technicznych.

**UWAGA:**  
Informacje dotyczące obsługi wózka.

## Spis treści

Elementy wózka inwalidzkiego	2
Wstęp	38
Legenda symboli	38
Spis treści	38
Przeznaczenie	38
Zakres stosowania	38
Ogólne zalecenia bezpieczeństwa i ograniczenia jazdy	39
Gwarancja	40
Transport	41
Posługiwanie się wózkiem	43
Możliwości dodatkowe - zderzaki do pokonywania przeszkód	44
Możliwości dodatkowe - Hamulce	44
Możliwości dodatkowe - uchwyt na kule	44
Możliwości dodatkowe - podnóżki	44
Możliwości dodatkowe - kółka przednie	45
Możliwości dodatkowe - Osłony boczne	45
Możliwości dodatkowe - Oparcie	45
Możliwości dodatkowe - stolik terapeutyczny	45
Możliwości dodatkowe - Kółka zabezpieczające	45
Możliwości dodatkowe - Biodrowy pas bezpieczeństwa	45
Tabliczki znamionowe	46
Opony i ich montaż	47
Kontrole codzienne	47
Usuwanie usterek	47
Konserwacja i utrzymanie	47
Usuwanie i recykling materiałów	47
Dane techniczne	48
Regulacja wysokości siedziska	48
Momenty dokręcające	48

## Przeznaczenie

Stalowe wózki inwalidzkie są przeznaczone wyłącznie dla użytkowników niemogących chodzić lub osób o ograniczonej zdolności ruchu, do użytku osobistego w pomieszczeniach i na zewnątrz, na suchej, stabilnej i poziomej powierzchni (mogą być napędzane przez użytkownika lub osobę towarzyszącą). Oznaczenie ograniczenia wagi (dotyczy użytkownika oraz akcesoriów przymocowanych do wózka łącznie) znajduje się na tabliczce z numerem seryjnym, przymocowanej do belki poprzecznej lub belki stabilizatora pod siedzeniem.

Gwarancja jest ważna wyłącznie wtedy, gdy produkt jest używany zgodnie z przeznaczeniem, we właściwych warunkach. Zakładany okres użytkowania wózka wynosi 5 lat. Proszę NIE używać ani nie montować do wózka części innych producentów, o ile nie zostały oficjalnie zaakceptowane przez Sunrise Medical.

## Zakres stosowania

Wiele wariantów montażu i modułowa konstrukcja wózka, powoduje, że może być używany przez osoby niemogące chodzić lub o ograniczonej zdolności ruchu z powodu:

- Paraliżu
- Utraty lub amputacji kończyny (nogi)
- Wady lub deformacji kończyny
- Przykurczu lub uszkodzenia stawów
- Chorób serca i układu krążenia, zaburzeń równowagi, kacheksji oraz z przyczyn geriatrycznych (u osób wciąż władających górną częścią ciała).

Przy rozważaniu zakupu wózka należy brać pod uwagę wymiary ciała, masę, konstrukcję fizyczną i psychiczną, wiek osoby oraz warunki życia i otoczenia.

## Ogólne zalecenia bezpieczeństwa i ograniczenia jazdy

Konstrukcja i zastosowane rozwiązania techniczne wózka zapewniają maksymalne bezpieczeństwo jego użytkowania. Produkt spełnia obowiązujące międzynarodowe normy bezpieczeństwa. Użytkownik może narazić się na ryzyko poprzez nieprawidłowe użytkowanie wózka. Dla własnego bezpieczeństwa użytkownik musi bezwzględnie przestrzegać następujących zasad.

Nieprofesjonalne lub błędne zmiany i regulacje zwiększają ryzyko wypadku. Użytkownik wózka jest również uczestnikiem ruchu publicznego na ulicach i chodnikach. Obowiązują go wszystkie przepisy ruchu drogowego.

Podczas pierwszej jazdy wózkiem należy zachować szczególną ostrożność. Należy zapoznać się z użytkowanym sprzętem.

Przed każdym użyciem należy skontrolować:

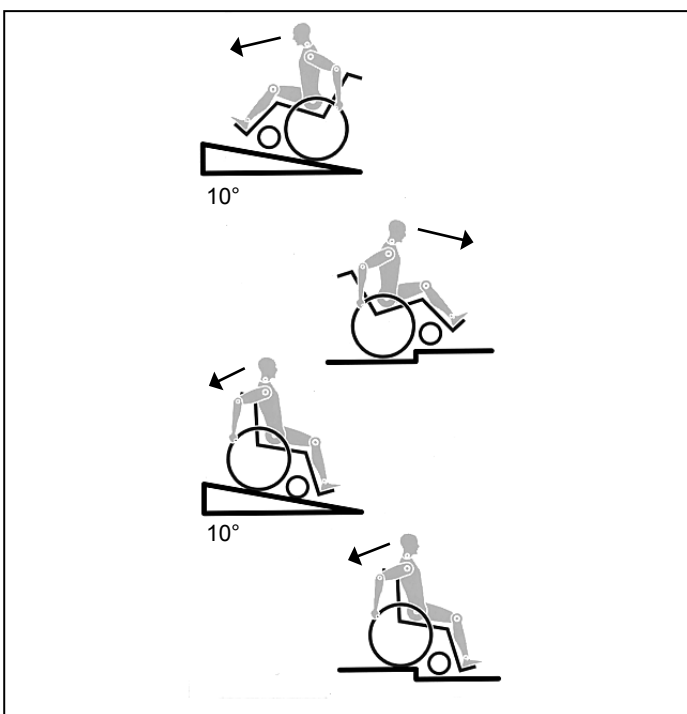
- Półosie stałe lub szybkiego montażu na tylnych kołach.
- Rzępy na siedzisku i oparciu
- Opony i ciśnienie w nich oraz blokady kół.

Przed dokonaniem jakichkolwiek regulacji wózka należy przeczytać odpowiedni rozdział instrukcji.

Wyboje i nierówne podłoże może spowodować przewrócenie wózka, szczególnie podczas jazdy pod górę lub z góry. Przy jeździe do przodu, podczas pokonywania stopni i pochyłości należy wychylić się ku przodowi.

### NIEBEZPIECZEŃSTWO!

- NIGDY nie przekraczać dopuszczalnego łącznego obciążenia 125 kg dla użytkownika i wszystkich przewożonych elementów. Przekroczenie dopuszczalnego obciążenia może prowadzić do uszkodzenia siedziska, upadku lub przewrócenia, utraty kontroli i w konsekwencji, do poważnych obrażeń użytkownika i innych osób.
- Podczas jazdy o zmroku należy nosić jasną odzież lub odzież z odblaskami, aby użytkownik był łatwy do zauważenia przez innych. Upewnić się, że odblaski na bokach i z tyłu wózka są dobrze widoczne.
- Zaleca się również wyposażenie wózka w aktywne oświetlenie.
- Aby uniknąć upadków i niebezpiecznych sytuacji, należy przećwiczyć posługiwanie się wózkiem na poziomym podłożu i przy dobrej widoczności.
- Przy siadaniu i wstawaniu z wózka nie korzystać z podnóżków.
- Należy odchylić i odsunąć na bok tak daleko, jak to możliwe. Zawsze należy starać się zająć pozycję najbliższą miejsca, w którym zamierza się usiąść.
- Używać wózka tylko z zachowaniem odpowiedniej ostrożności. Na przykład: unikać pokonywania przeszkód bez hamowania (schody, krawężniki), omijać szczeliny.



- Blokady kół nie są przeznaczone do zatrzymywania jadącego wózka. Służą one wyłącznie do zabezpieczenia przed przypadkowym jego toczeniem się. Przy zatrzymywaniu na nierównym podłożu należy zawsze używać tych blokad, aby zapobiec stoczeniu się wózka. Zawsze zaciągaj obie blokady kół; w przeciwnym wypadku wózek może się przewrócić.
- Zbadać wpływ zmiany środka ciężkości na zachowanie wózka, na przykład na pochyłościach, zboczach o różnym nachyleniu i podczas pokonywania przeszkód. Czynności te wykonywać w obecności osoby ubezpieczającej.
- Przy krańcowych ustawieniach (np. tylnych kołach przesuniętych maksymalnie do przodu) i niedbałej pozycji użytkownika może nastąpić przewrócenie wózka, nawet na równym podłożu.
- Przy wjeżdżaniu na zbocza i schody należy pochylić górną część ciała do przodu.
- Przy zjeżdżaniu ze zboczy i schodów należy pochylić górną część ciała do tyłu. Nigdy nie należy próbować wjeżdżać na pochyłość lub zjeżdżać z niej na skos.
- Należy unikać korzystania z ruchomych schodów, ponieważ może to prowadzić do poważnych obrażeń w przypadku awarii.
- Nie używać wózka na zboczach o nachyleniu większym niż 10°. Wartość bezpiecznego kąta nachylenia użytkownika wózka uzależniona jest od konfiguracji, umiejętności użytkownika oraz stylu jazdy. Maksymalna wartość kąta nachylenia nie może być określona, ponieważ umiejętności użytkownika oraz styl jazdy są niemożliwe do przewidzenia. Dlatego wartość musi zostać określona przez użytkownika przy obecności osoby towarzyszącej w celu uniknięcia przewrócenia wózka. Usilnie zaleca się, aby niedoświadczeni użytkownicy wyposażyli swój wózek w kółka zabezpieczające.
- Wyboje i nierówne podłoże może spowodować przewrócenie wózka, szczególnie podczas jazdy pod górę lub z góry.
- Nie używać wózka na błocie lub lodzie.
- Nie używać wózka tam, gdzie nie jest dozwolony ruch pieszych.
- Aby uniknąć obrażeń dłoni, podczas ruchu wózka, nie należy wkładać ich pomiędzy szprychy lub pomiędzy tylne koło i jego blokadę.
- W szczególności, przy lekkich metalowych obręczach napędowych, obręcze szybko stają się gorące podczas hamowania.
- Schody pokonywać wyłącznie z pomocą osoby towarzyszącej. Należy korzystać z takich udogodnień, jak specjalne podjazdy i windy. Jeśli takie udogodnienia nie są dostępne, wózek należy przechylić i popychać, nigdy nie przenosić (2 pomocników). Nie zaleca się przewożenia w ten sposób użytkowników o wadze przekraczającej 100 kg. Kółka zabezpieczające muszą być tak ustawione, aby nie mogły dotykać stopni. W przeciwnym wypadku może dojść do poważnego w skutkach przewrócenia wózka. Po przeniesieniu należy ponownie ustawić kółka zabezpieczające we właściwej pozycji.
- Upewnić się, że osoba towarzysząca podnosi wózek, trzymając za pewnie umocowane części. Nie wolno podnosić wózka za części odłączane (np. podnóżki lub osłony boczne).
- Podczas korzystania z windy platformowej upewnić się, że kółka zabezpieczające są umieszczone poza strefą niebezpieczną.
- Podczas jazdy na nierównościach lub przenoszenia wózka (np. do samochodu) należy zaciągać hamulec.
- Jeżeli jest to możliwe, podczas jazdy autem przystosowanym dla osób niepełnosprawnych, użytkownicy powinni korzystać z siedzeń w samochodzie i odpowiednich pasów bezpieczeństwa. Jest to jedyny sposób prawidłowej ochrony użytkowników pojazdu podczas wypadku.

## NIEBEZPIECZEŃSTWO!

- W zależności od średnicy i ustawienia kółek przednich, jak również położenia środka ciężkości wózka, kółka te mogą wpaść w szybkie drgania. Może to doprowadzić do blokady kółek i przewrócenia się wózka. Dlatego też należy upewnić się, że kółka przednie są prawidłowo wyregulowane (rozdział „Kółka przednie”).
- W szczególności, nie należy jechać bez hamowania po pochyłości; taki odcinek należy przebywać ze zmniejszoną prędkością. Niedoświadczonym użytkownikom zaleca się stosowanie kółek zabezpieczających.
- Kółka zabezpieczające powinny chronić wózek przed przypadkowym przewróceniem się do tyłu. Pod żadnym pozorem nie mogą one pełnić roli kółek do transportu w wąskich przejściach ani być używane do przewożenia osób wózkiem przy zdemontowanych tylnych kołach.
- Przy poszukiwaniu przedmiotów (z przodu, boku lub tyłu wózka) użytkownik powinien upewnić się, że nie wychyla się na tyle, aby zmienić położenie środka ciężkości, co grozi przewróceniem wózka lub wypadnięciem z niego. Zawieszanie dodatkowego obciążenia (plecaków i podobnych) na tylnym oparciu wózka może prowadzić do zaburzenia stabilności, zwłaszcza w przypadku korzystania z odchylonego oparcia. Może to spowodować przewrócenie się wózka do tyłu i skutkować obrażeniami.
- W przypadku osób po amputacji na poziomie uda, należy stosować w wózku kółka zabezpieczające.
- Przed rozpoczęciem użytkowania sprawdzić ciśnienie w oponach. W tylnych kołach powinno ono wynosić przynajmniej 3,5 bara (350 kPa). Maksymalna wartość ciśnienia określona jest na oponie. Hamulce dźwigniowe działają prawidłowo tylko przy odpowiednim ciśnieniu w oponach i właściwym ustawieniu (szczegóły w rozdziale „Hamulce”).
- Uszkodzone siedzisko i oparcie, muszą być natychmiast wymienione.
- Podczas obchodzenia się z ogniem należy zachować ostrożność, a w szczególności podczas palenia papierosów. Tapicerka siedziska i oparcia, mogą się zapalić.
- Jeżeli wózek jest przez dłuższy czas narażony na bezpośrednie działanie światła słonecznego / zimna, jego części (np. rama, podnóżki, hamulce i osłony boczne) mogą stać się bardzo gorące (>41°C) / bardzo zimne (<0°C).
- Należy zawsze upewnić się, że półosie szybkiego montażu tylnych kół są prawidłowo ustawione i zablokowane (blokujące łożyska kulkowe powinny być całkowicie widoczne przez tuleję półosi). Tylny koło może być zdjęte dopiero po wciśnięciu przycisku półosi.

## PRZESTROGA!

- Skuteczność hamulca dźwigniowego i ogólne charakterystyki jazdy zależą od ciśnienia w oponach. Jest znacznie łatwiej manewrować wózkiem, gdy opony tylnych kół są odpowiednio napompowane, a wartość ciśnienia jest jednakowa w obu oponach.
- Upewnić się, że opony wózka mają odpowiedni bieżnik!
- Należy pamiętać, że podczas jazdy po drogach publicznych wózek podlega wszystkim prawom ruchu drogowego.
- Podczas przenoszenia i regulacji wózka należy zawsze zachować ostrożność!
- Wszelkie czynności regulacyjne, do wykonania których niezbędne są narzędzia, powinny być zawsze wykonywane przez autoryzowanych sprzedawców.
- Aby uniknąć korozji i rdzewienia, wózek należy regularnie czyścić.
- Sprawdzić wkrety, nakrętki i śruby, aby upewnić się, że są one dokładnie zamocowane i żadna część wózka nie odpadnie.
- Zawsze w przypadku występowania części ruchomych istnieje niebezpieczeństwo zakleszczenia palców. Dlatego też należy zachować odpowiednią ostrożność.

- Produkty przedstawione i opisane w instrukcji mogą nie odpowiadać we wszystkich szczegółach modelowi wózka użytkownika. Jednakże wszystkie instrukcje obowiązują w całości, bez względu na różnice w szczegółach.
- Producent zastrzega sobie prawo do zmian masy, wymiarów i innych parametrów technicznych zawartych w instrukcji, bez uprzedniego powiadomienia. Wszystkie wartości, wyniki pomiarów i wydajności zawarte w instrukcji są przybliżone i nie są częścią charakterystyki technicznej wózka.

## OKRES TRWAŁOŚCI

Zakładany okres trwałości wózka wynosi 5 lat, o ile: Jest on eksploatowany w ścisłej zgodności z przeznaczeniem. Spełnione są wszystkie wymagania serwisowe i eksploatacyjne.

## Gwarancja

### GWARANCJA

GWARANCJA NIE OGRANICZA W ŻADNYM STOPNIU INNYCH PRAW KLIENTA.

Warunki gwarancji

1) Naprawy i wymiany mogą być wykonywane wyłącznie przez autoryzowanych sprzedawców i serwisantów Sunrise Medical.

2) Jeżeli produkt wymaga diagnostyki w ramach obsługi gwarancyjnej, należy bezzwłocznie powiadomić o tym wyznaczony punkt serwisowy Sunrise Medical i przekazać mu wszystkie informacje dotyczące natury zaistniałego problemu. Jeżeli produkt jest używany poza obszarem działania wyznaczonego serwisanta Sunrise Medical, prace w ramach obsługi gwarancyjnej wykona inny punkt serwisowy wyznaczony przez producenta.

3) Jeżeli jakkolwiek część wózka wymaga naprawy lub wymiany, w wyniku określonych wad fabrycznych lub materiałowych, w przeciągu 24 miesięcy (5 lat w przypadku ramy i wzmocnienia krzyżowego) od daty nabycia wózka przez pierwszego użytkownika i pod warunkiem, że wózek jest nadal w jego posiadaniu, część lub części zostaną naprawione lub wymienione całkowicie nieodpłatnie, pod warunkiem oddania wózka do autoryzowanego punktu serwisowego. Uwaga: Prawa wynikające z gwarancji nie ulegają przeniesieniu.

4) Wszystkie wymienione lub naprawione części podlegają niniejszym postanowieniom przez okres gwarancji dla wózka.

5) Części wymienione po upływie gwarancji na wózek są objęte oddzielną gwarancją przez okres 12 miesięcy.

6) Elementy zużywalne nie są objęte gwarancją, poza przypadkami, gdy ich nadmierne zużycie jest bezpośrednim wynikiem wady fabrycznej. Do tych elementów zalicza się m.in. tapicerkę, opony, dętki oraz podobne części.

7) Powyższe warunki gwarancji dotyczą wszystkich części produktów dla modeli zakupionych za pełną cenę detaliczną.

8) W normalnych okolicznościach producent nie przyjmuje odpowiedzialności w przypadkach, gdy produkt wymaga naprawy lub wymiany, jeżeli:

- Produkt lub część nie były konserwowane lub obsługiwane zgodnie z zaleceniami producenta, jak określono w Podręczniku użytkownika i/lub Instrukcji obsługi. Nie stosowano wyłącznie wymaganych oryginalnych elementów wyposażenia.
- Produkt lub część uległy uszkodzeniu wskutek zaniedbania, wypadku lub niewłaściwego użycia.
- Produkt lub część miały własności niezgodne z charakterystykami producenta lub dokonano naprawy przed powiadomieniem punktu serwisowego.
- Produkt jest pokryty korozją spowodowaną nieodpowiednią konserwacją.



## Transport

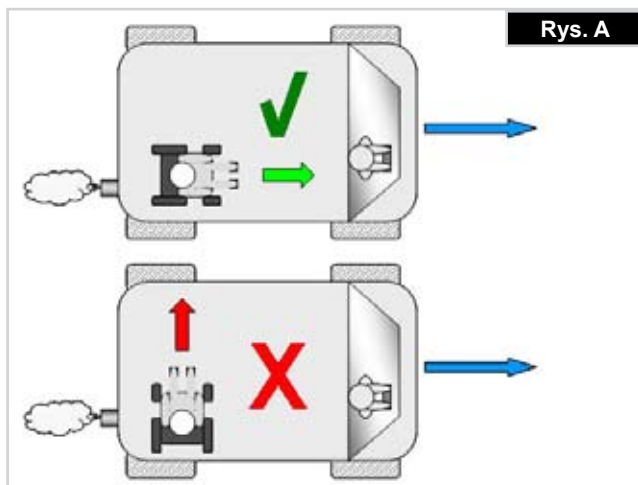
### NIEBEZPIECZEŃSTWO!

Jeśli te warunki zostaną zignorowane, wystąpi ryzyko śmierci lub poważnych obrażeń!

#### PRZEWOŻENIE WÓZKA SAMOCHODEM:

Wózek zamontowany w pojeździe nie zapewnia poziomu bezpieczeństwa takiego jak system zabezpieczenia siedzeń w samochodzie. Zaleca się, aby użytkownik wózka zawsze przeniósł się na siedzenie w samochodzie. Wiadomo, że nie zawsze możliwe jest przeniesienie się użytkownika wózka. W okolicznościach, kiedy użytkownik musi być przewieziony siedząc w wózku, poniższe warunki muszą zostać spełnione:

1. Samochód musi być odpowiednio przystosowany do przewozu pasażerów w wózkach inwalidzkich i możliwość wygodnego wjechania/wyjechania wózkiem z samochodu musi być zapewniona. Podłoga samochodu musi być wystarczająco mocna, aby przyjąć łączną wagę użytkownika, wózka i akcesoriów.
2. Wokół wózka należy zapewnić przestrzeń wystarczającą dla swobodnego ustawienia, umocowania i odpięcia elementów mocujących wózek i użytkownika oraz pasów bezpieczeństwa.
3. Wózek zajmowany przez użytkownika musi być zamocowany przodem do kierunku jazdy i zabezpieczony pasem własnym oraz samochodowym (mocowania systemu WTORS spełniające wymagania ISO 10542 lub SAE J2249) zgodnie z instrukcją producenta systemu WTORS.
4. Umieszczanie wózka w innych pozycjach nie było testowane; przewożenie w pozycji bocznej jest zabronione w każdych okolicznościach (Rys. A).
5. Wózek powinien być zabezpieczony systemem elementów mocujących zgodnym z ISO 10542 lub SAE J2249 składającym się z pasów przednich bez regulacji i pasów tylnych z regulacją wyposażonych w spinające haki karabinkowe/ haki typu S oraz zaczepy z językami. Cały system składa się zazwyczaj z 4 oddzielnych taśm przymocowanych do każdego rogu wózka.
6. Elementy mocujące powinny być mocowane do głównej ramy wózka tak, jak pokazano na rysunkach na następnej stronie, a nie opasane wokół elementów dodatkowych lub akcesoriów, np. szprych, hamulców lub podnóżków.



7. Elementy mocujące powinny być opasane tak ciasno, jak to możliwe, pod kątem ok. 45 stopni i zablokowane zgodnie z instrukcją producenta.

8. Nie wolno dokonywać żadnych zmian ani zastąpień w układzie punktów mocowania, konstrukcji, ramie i elementach bez konsultacji z producentem. Niespełnienie tego warunku może uniemożliwić transport wózka w pojeździe.

9. Do zabezpieczenia użytkownika wózka przed uderzeniem w głowę lub klatkę piersiową przez części samochodu, oba pasy bezpieczeństwa, biodrowy i piersiowy, muszą być użyte. Pozwala to także na uniknięcie ryzyka poważnych obrażeń użytkownika wózka i innych pasażerów samochodu. (Rys. B) Piersiowy pas bezpieczeństwa powinien być mocowany do słupka „B” samochodu - nie zastosowanie się do tego podnosi ryzyko odniesienia przez użytkownika poważnych obrażeń brzucha.

10. Podczas przewożenia zagłówek musi być zawsze ustawiony w pozycji odpowiedniej do transportu (etykieta na zagłówku), wygodnej dla użytkownika.

11. Środki korekcji postawy (pasy i taśmy biodrowe) lub oparte na nich mocowania nie powinny być używane jako zabezpieczenia użytkownika w jadącym pojeździe, o ile nie są wyraźnie oznaczone jako spełniające wymagania ISO 7176-19:2001 lub SAE J2249.

12. Bezpieczeństwo użytkownika wózka podczas transportu zależy od staranności osoby mocującej zabezpieczenia.

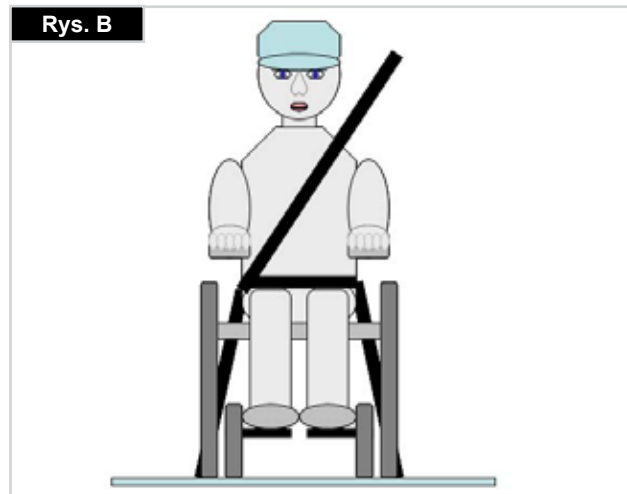
13. Jeżeli jest to możliwe, należy odłączyć od wózka i bezpiecznie rozmieścić cały sprzęt pomocniczy, na przykład: Kule, nieprzymocowane poduszki, stoliki.

14. Podczas przewożenia samochodem użytkownika na wózku zabezpieczonym systemem własnych pasów bezpieczeństwa podnóżek przegubowy/podnoszony nie może być podniesiony.

15. Rozłożone oparcia należy z powrotem złożyć do pozycji pionowej.

16. Hamulce ręczne wózka muszą być mocno zaciągnięte.

17. Pasy do transportu wózka należy zamocować do słupka „B” samochodu, nie należy mocować ich wokół części wózka, jak podłokietnik lub koła.



## INSTRUKCJA PRZYGOTOWANIA UŻYTKOWNIKA DO JAZDY

1. Pas biodrowy musi być założony nisko z przodu bioder tak, aby był prowadzony w preferowanym obszarze od 30 do 75 stopni względem poziomu.

Pożądaną jest zachowanie większego kąta w ramach preferowanej strefy, tj. możliwie bliskiego, ale nie przekraczającego 75°. (Rys. C)

2. Piersiowy pas bezpieczeństwa należy założyć nad barkiem w poprzek klatki piersiowej jak pokazano na Rys. d i e

Pasy zabezpieczające muszą być założone tak ciasno, jak to możliwe, z uwzględnieniem komfortu użytkownika.

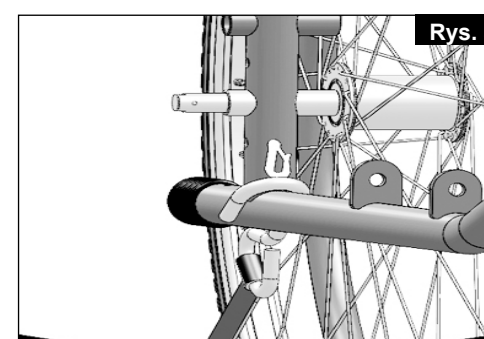
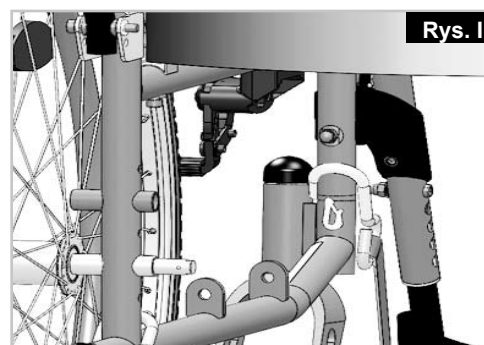
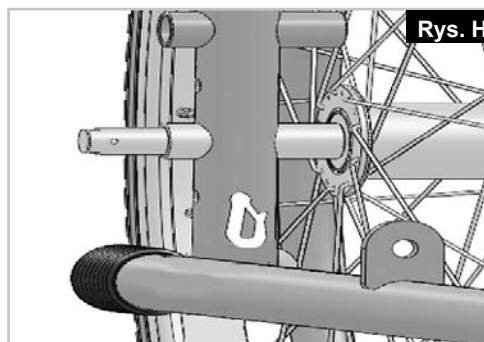
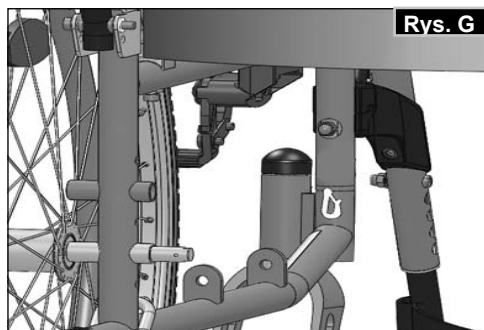
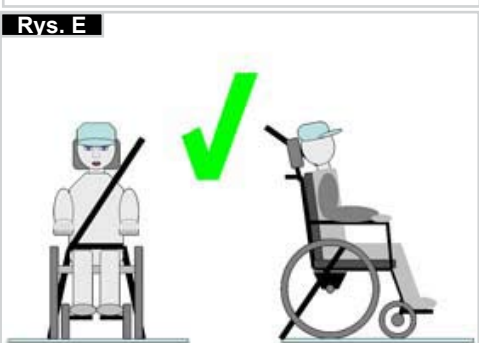
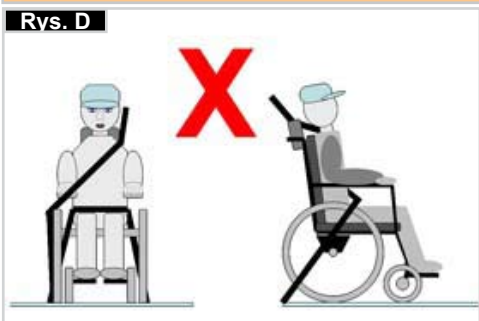
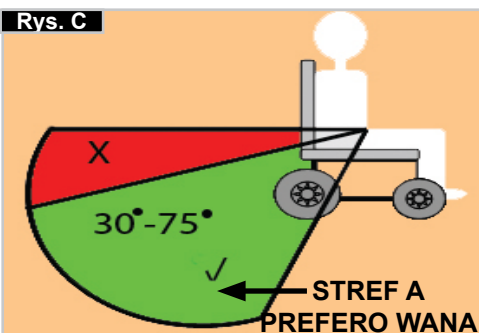
Pas zabezpieczający nie może być skręcony podczas użycia. Piersiowy pas bezpieczeństwa należy założyć nad barkiem w poprzek klatki piersiowej jak pokazano na Rys. d i e

3. Punktami mocowania zabezpieczeń do fotela są: wewnętrzna przednia rura boczna ramy, tuż nad kółkami przednimi, i tylna rura boczna ramy. Punktami mocowania zabezpieczeń do fotela są: wewnętrzna przednia rura boczna ramy, tuż nad kółkami przednimi, i tylna rura boczna ramy. (Zobacz Rys. G - K)

4. Taśmy są owinięte wokół (rys. F) rur bocznych ramy, w miejscach łączenia rur poziomych i pionowych. Symbol mocowania na ramie wózka wskazuje pozycję pasów zabezpieczających. Po przytwierdzeniu pasów przednich są one naprężane w celu zamocowania wózka.

## Pozycjonowanie pasów zabezpieczających na wózku

1. Położenie etykiet wskazujących punkty mocowania do transportu w przedniej i tylnej części wózka (Rys. G - H).
2. Położenie przedniego (Rys. I) i tylnego (Rys. J) punktu mocowania do transportu oraz etykiet ich etykiet.
3. Boczny widok pasów mocujących (Rys. K).



## Posługiwanie się wózkiem

### SKŁADANIE WÓZKA

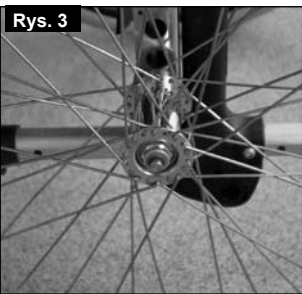
Najpierw zdjęć z wózka poduszkę siedziska i jego tylną osłonę i podnieść podnóżek (platformowy) lub pojedyncze podnóżki. Uchwycić tapicerkę lub rurki siedziska pośrodku i od tyłu, a następnie podciągnąć do góry. Następnie złożyć wózek. Aby złożyć wózek do minimalnych rozmiarów, np. w celu umieszczenia go w samochodzie, można odłączyć podnóżki (w zależności od modelu). W tym celu zwolnić zatrzask od zewnątrz i odchylić podnóżek na bok. Następnie wysunąć podnóżek z gniazda (Rys. 1).



### ROZKŁADANIE WÓZKA

Nacisnąć krzyżak siedziska (rysunek obok). Wózek zostanie rozłożony. Zatrzasknąć rury siedziska we właściwej pozycji w łożu siedziska. Można to wykonać poprzez lekkie przechylenie wózka tak, aby odciążyć jedno z kół tylnych. **Zachować ostrożność, aby nie włożyć palców w zespół krzyżaka.** Ponownie założyć poduszkę siedziska (Rys. 2).

**Półosie szybkiego montażu tylnych kół** Tyłne koła wyposażono w półosie szybkiego montażu. Dzięki temu koła mogą być zamontowane i zdemonstrowane bez użycia narzędzi. Aby zdemonstrować koło, nacisnąć przycisk półosi (1) i zdjąć koło z półosi (rys. 3).



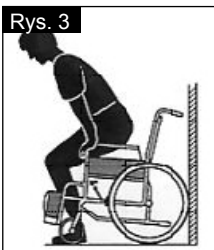
### PRZESTROGA:

**Podczas wsuwania półosi do gniazda ramy w celu**

**zamontowania tylnych kół utrzymywać przycisk półosi wciśnięty. Aby zablokować koło we właściwej pozycji, zwolnić przycisk półosi. Przycisk powinien powrócić do swojego pierwotnego położenia.**

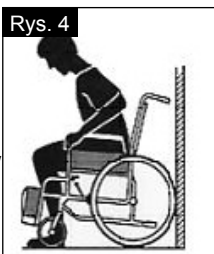
### Samodzielne siadanie na wózku (Rys. 3)

- Wózek powinien być oparty o ścianę lub solidny mebel;
- Hamulce powinny być zaciągnięte;
- Podnóżki powinny być uniesione na zawiasach;
- Użytkownik może teraz usiąść na wózku;
- Podnóżki powinny zostać opuszczone, a nogi oparte na nich.



### Samodzielne wstawanie z wózka (Rys. 4)

- Hamulce powinny być zaciągnięte;
- Podnóżki powinny być uniesione;
- Z rękami opartymi na podłokietnikach należy lekko pochylić się do przodu tak, aby przenieść ciężar ciała na przód siedziska i z dwoma stopami opartymi mocno o podłoże, w tym jedną cofniętą, unieść się do pozycji pionowej.



### ⚠ OSTRZEŻENIE!

Podczas wstawania nie stawać na podnóżkach, gdyż wózek się przewróci. Jest łatwiej i bezpieczniej siadać na wózku, gdy podnóżki są uniesione lub w ogóle odłączone od wózka.

## Możliwości dodatkowe - zderzaki do pokonywania przeszkód

### ZDERZAKI DO POKONYWANIA PRZESZKÓD (RYS. 5)

Dźwignie przechyłu są używane przez osoby towarzyszące do przemieszczania wózka nad przeszkodami. Nacisnąć dźwignię przechyłu aby unieść wózek, na przykład nad stopniem lub krawężnikiem.

**UWAGA:** W przypadku wszystkich wózków, których głównym przeznaczeniem jest użytkowanie z pomocą osoby towarzyszącej, Sunrise Medical zaleca korzystanie z dźwigni przechyłu. Ciągłe przechylanie wózka, w celu pokonywania przeszkód, przy użyciu tylnych słupków, bez zamontowanej dźwigni przechyłu, może doprowadzić do ich uszkodzenia.



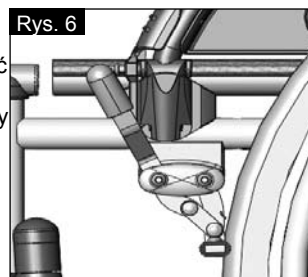
### Możliwości dodatkowe - Hamulce

#### BLOKADY KÓŁ

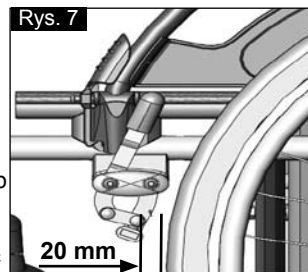
Wózek jest wyposażony w dwie blokady kół. Blokady działają bezpośrednio na opony. Aby włączyć blokadę, pchnąć do przodu obie dźwignie hamulców aż do oporu. Aby zwolnić blokady, wycofać dźwignie do pierwotnych pozycji.

Na zmniejszenie siły hamowania wpływają:

- Zużycie bieżników opon.
- Zbyt niskie ciśnienie w oponach
- Mokre opony
- Źle wyregulowane blokady kół



Blokady kół nie zostały zaprojektowane jako hamulce jadącego wózka. Dlatego też nigdy nie powinny być używane do hamowania wózka w ruchu. Do hamowania zawsze używać obręczy napędowych. Upewnić się, że odstęp pomiędzy oponami a blokadami kół odpowiada podanym charakterystykom. Aby wyregulować odstęp, poluzować wkręt i ustawić odpowiednią odległość. Następnie ponownie dokręcić wkręt (Rys. 6 i 7).



### ⚠ PRZESTROGA!

Po każdej regulacji kół tylnych sprawdzić odstęp blokad kół i wyregulować go w razie potrzeby.

### ⚠ PRZESTROGA!

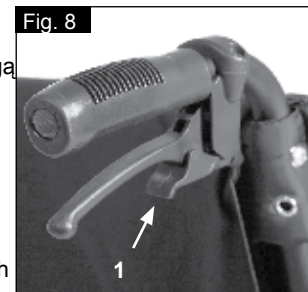
**Zamontowanie blokady zbyt blisko koła skutkuje zwiększonym wysiłkiem przy jej obsłudze. Może to doprowadzić do uszkodzenia dźwigni hamulca!**

### ⚠ PRZESTROGA!

**Opieranie się o dźwignię hamulca podczas zsiadania z wózka lub wsiadania na niego może spowodować jej uszkodzenie! Woda spod kół, może spowodować niesprawność hamulców.**

#### HAMULCE BĘBNOWE

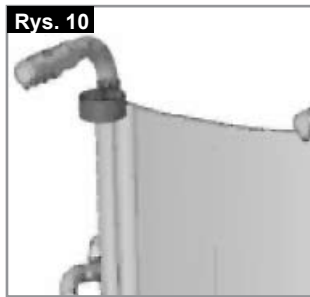
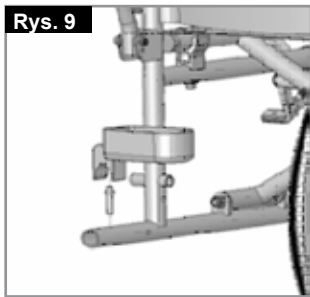
Hamulce bębnowe umożliwiają osobie towarzyszącej bezpieczne i wygodne hamowanie. Hamulce mogą być używane wraz z dźwignią blokady (1) w celu zapobiegnięcia toczeniu się wózka. Dźwignia musi zaskoczyć na swoje miejsce w słyszalny sposób. Ciśnienie w oponach nie wpływa na działanie hamulców bębnowych. Nie można przesuwac wózka przy zaciągniętych hamulcach bębnowych (Rys. 8).



### ⚠ PRZESTROGA!

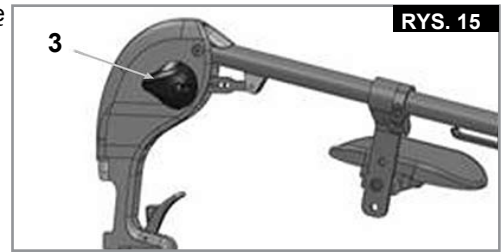
Hamulce bębnowe mogą być regulowane wyłącznie przez autoryzowanych sprzedawców.

## Możliwości dodatkowe — uchwyt na kule



## REGULACJA KĄTA:

Nacisnąć dźwignię (3) do dołu i jednocześnie przytrzymać podnóżek drugą ręką, aby zminimalizować obciążenie. Po ustawieniu odpowiedniego kąta, puścić dźwignię, a podnóżek zablokuje się w jednym z dostępnych położeń.



## Możliwości dodatkowe — podnóżki

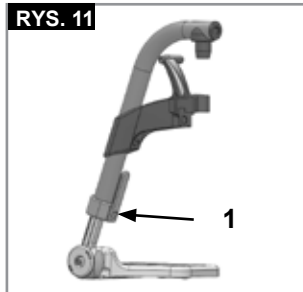
### PODNOŻKI:

Podnóżki mogą być podniesione dla ułatwienia siadania i wysiadania z wózka.

Masa zestawu: 1 kg.

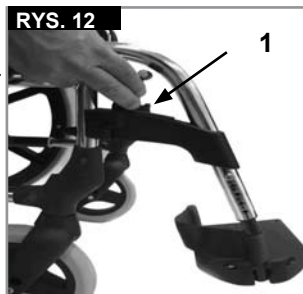
### DŁUGOŚĆ PODUDZIA:

Wspornik podnóżka może być obniżony za pomocą wkrętów (1) w celu dostosowania do długości nóg użytkownika. Poluzować wkręty, przesunąć rurki do żądanej pozycji i ponownie dokręcić wkręty (rozdział o momentach dokręcających). Pomiędzy podnóżkami a podłożem musi być zawsze zachowany minimalny odstęp 2,5 cm, (Rys. 11).



### ZATRZASKI PODNOŻKÓW

Podnóżki mogą być przesunięte do wewnątrz pod siedzisko lub na zewnątrz. Podczas przyłączania podnóżki muszą być skierowane do wewnątrz lub na zewnątrz. Następnie obracać je do wewnątrz aż do zaskoczenia we właściwej pozycji. Aby odłączyć podnóżek, przesunąć dźwignię (1), przesunąć płytę podnóżka do wewnątrz lub na zewnątrz i unieść ją ku górze. Upewnić się, że podnóżek jest zatrzaśnięty w odpowiedniej pozycji (Rys. 12).



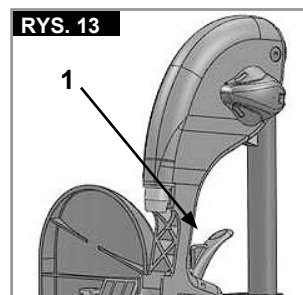
### ⚠ PRZESTROGA!

- Nie wolno wykorzystywać podnóżków do podnoszenia lub przenoszenia wózka.
- Przy siadaniu i wstawaniu z wózka nie korzystać z podnóżków. Należy je wcześniej podnieść na lub wysunąć jak najdalej na bok.

### OPCJONALNY PODNOSZONY PODNOŻEK

(Rys. 13-15)

Aby odłączyć podnóżek, pociągnąć dźwignię (1), odchylić płytę podnóżka do zewnątrz i unieść podnóżek ku górze.

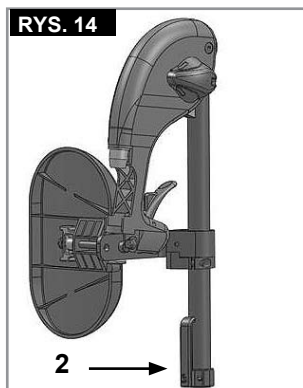


### REGULACJA WYSOKOŚCI:

Długość podudzia można regulować w dowolnym zakresie poprzez odkręcenie śruby (2). Ustawić odpowiednią wysokość i ponownie zakręcić śrubę.

### ⚠ PRZESTROGA!

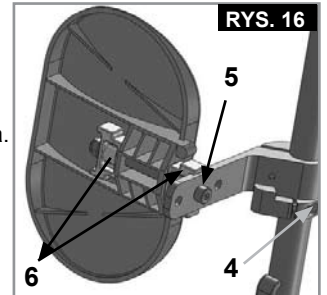
Odległość pomiędzy płytą podnóżka a ziemią musi wynosić przynajmniej 40 mm.



### REGULACJA OPARCIA ŁYDEK

(Rys. 16).

Procedura regulacji oparcia tydek:  
Wysokość: Odkręcić śrubę (4) i przesunąć zacisk w odpowiednie położenie. Obracając zaciskiem, można także zmienić kąt nachylenia.  
Głębokość: Odkręcić śrubę (5, Rys. 13) i przesunąć oparcie tydek w odpowiednie położenie.  
Szerokość: Odkręcić śrubę (5) i ustawić dystanse w odpowiednim położeniu, tak aby osiągnąć wybraną szerokość.



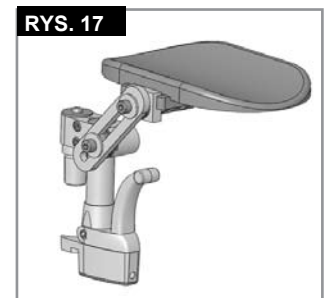
### ⚠ OSTRZEŻENIE!

- Podczas regulacji wysokości podnóżka trzymać ręce z dala od mechanizmu regulacji pomiędzy ramą a częściami ruchomymi.
- Należy się upewnić, że mocowania są prawidłowo zamontowane.
- Nie wolno wykorzystywać podnóżków do podnoszenia lub przenoszenia wózka.
- Ryzyko przytraśnięcia palców! Podczas przesuwania podnóżków w górę lub w dół nie wkładać palców w mechanizm regulacji pomiędzy ruchome części.

### WSPORNIK DLA OSÓB Z AMPUTOWANĄ KOŃCZYNĄ

(Rys. 17).

Wspornik może być przesuwany w dowolnym kierunku, zgodnie z bieżącymi potrzebami.



## Możliwości dodatkowe — kółka przednie

### KÓŁKA SAMONASTAWNE, PODPORY KÓLEK, WIDEŁKI

Wózek może lekko skręcać w lewo lub w prawo, lub mogą wibrować jego kółka przednie. Przyczyny tych zjawisk mogą być następujące:

- Mechanizmy kół nie zostały ustawione prawidłowo.
- Kąt osi kółka przedniego został ustawiony nieprawidłowo.
- Zostało źle ustawione ciśnienie kół przednich lub tylnych; koła nie obracają się płynnie.

W wyniku złej regulacji kółek przednich wózek nie porusza się po linii prostej. Kółka przednie zawsze powinny być ustawiane przez autoryzowanego dostawcę. Po każdej zmianie pozycji kół tylnych należy sprawdzić blokady kół.

Wysokość siedziska jest określona przez położenie kółka samonastawnego i tylnego koła. Wysokość siedziska można regulować zmieniając położenie kół tylnych i kółek samonastawnych.

### ⚠ PRZESTROGA!

Po wyregulowaniu wysokości siedziska należy dokręcić wszystkie śruby i ponownie wyregulować blokadę koła. Kółka samonastawne muszą być ustawione pod kątem 90°

## Możliwości dodatkowe - Osłony boczne

### STANDARDOWA OSŁONA BOCZNA, REGULOWANA, Z KRÓTKIM LUB DŁUGIM PODŁOKIETNIKIEM

Boczna osłona z zaokrąglonymi krawędziami przednimi pozwala na podsuniecie bliżej stolika.

Aby podnieść podłokietnik, nacisnąć dźwignię (1) tak, aby osłona boczna została zwolniona (Rys. 18).

Długość podłokietnika może być dobrana poprzez poluzowanie wkrętów (2), przesunięcie go do żądanej pozycji i ponowne dokręcenie wkrętów (Rys. 19).



#### ⚠ OSTRZEŻENIE!

Nie wykorzystywać osłon bocznych ani podłokietników do podnoszenia lub przenoszenia wózka.

### OSŁONA BOCZNA, REGULOWANA, ODŁĄCZANA Z KRÓTKIM LUB DŁUGIM PODŁOKIETNIKIEM, O REGULOWANEJ WYSOKOŚCI

Wysokość podłokietnika może być regulowana zgodnie z opisem poniżej.

Przesunąć dźwignię w dół i przemieścić podłokietnik do żądanej wysokości (3).

Zwolnić dźwignię i nacisnąć podłokietnik do chwili zatrzaśnięcia się go w stabilnej pozycji. Zawsze sprawdzać, czy osłony boczne są na właściwych miejscach.

Aby podnieść podłokietnik, nacisnąć dźwignię (1) tak, aby osłona boczna została zwolniona.

Długość podłokietnika może być dobrana poprzez poluzowanie wkrętów (2), przesunięcie go do żądanej pozycji i ponowne dokręcenie wkrętów (Rys. 20).



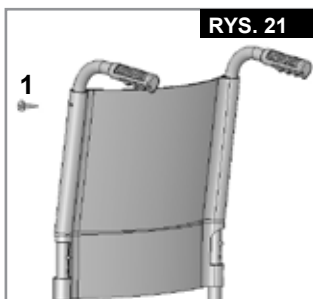
#### ⚠ OSTRZEŻENIE!

Nie wykorzystywać osłon bocznych ani podłokietników do podnoszenia lub przenoszenia wózka.

## Możliwości dodatkowe - Oparcie

### OPARCIE Z REGULACJĄ W PIONIE

Oparcie może być ustawione na dwóch różnych wysokościach (41 cm i 42,5 cm). Aby ustawić oparcie na pożądaną wysokość należy poluzować i wykręcić śruby (1). Przykręcić ponownie śruby (Rys. 21).



## Możliwości dodatkowe — stolik terapeutyczny

### STOLIK TERAPEUTYCZNY

Stolik zapewnia płaską powierzchnię do różnych czynności. Przed użyciem stolik musi być dostosowany przez autoryzowanego sprzedawcę do szerokości siedziska. Podczas regulacji użytkownik musi siedzieć w fotelu (Rys. 22).



## Możliwości dodatkowe — Kółka zabezpieczające

### KÓŁKA ZABEZPIECZAJĄCE

Kółka zabezpieczające zapewniają niedoświadczonym użytkownikom dodatkowe bezpieczeństwo podczas nauki jazdy wózkiem. Kółka zabezpieczają przed przewróceniem się wózka do tyłu.



Kółka zabezpieczające mogą być podciągnięte (1) do góry lub odłączone poprzez naciśnięcie przycisku zwalniającego. Pomiedzy kółkami a podłożem musi być zawsze zachowany odstęp 3 – 5 cm.

Kółka zabezpieczające muszą być przesunięte do góry podczas pokonywania większych przeszkód (takich jak krawężniki), aby zapobiec stykaniu się ich z podłożem. Po pokonaniu przeszkody przesunąć kółka do normalnej pozycji (Rys. 23).

#### ⚠ OSTRZEŻENIE!

Nieprawidłowe ustawienie kółek zabezpieczających zwiększa ryzyko przewrócenia wózka do tyłu.

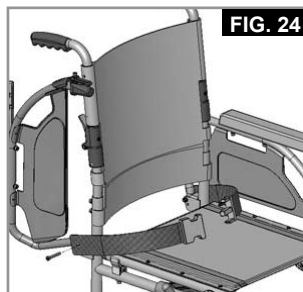
## Możliwości dodatkowe - Biodrowy pas bezpieczeństwa

#### ⚠ OSTRZEŻENIE!

Przed korzystaniem z wózka należy się upewnić, że pas został zapięty i właściwie wyregulowany.

Biodrowy pas bezpieczeństwa montuje się na wózku w sposób pokazany na ilustracjach. Pas składa się z 2 części. Obie części przymocowane są do wózka w miejscu mocowania podłokietnika za pomocą śruby przechodzącej przez oczko na pasie. Pas jest przeprowadzony pod tylną częścią bocznego panelu. Wyregulować położenie pasa tak, aby zatrzaski znajdowały się pośrodku siedziska.

(Rys. 24-25)



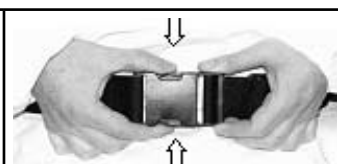
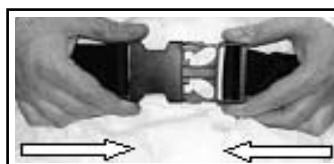
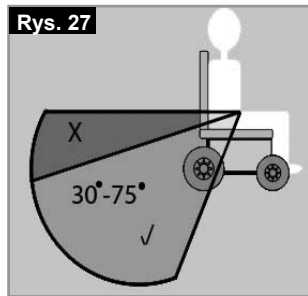
W opisany poniżej sposób wyregulować długość pasa biodrowego tak, aby odpowiadał potrzebom użytkownika:

Zwiększenie długości pasa	Zmniejszenie długości pasa	✓
Typ A	Typ A	Typ A
Typ B	Typ B	Typ B
Aby zwiększyć długość pasa, przeprowadzić jego wolną część przez suwaki regulacyjne i męską część zatrzasku.	Przeprowadzić wolną część pasa z powrotem przez męską część zatrzasku i suwaki regulacyjne.	Upewnić się, że pas nie zapętlił się w męskiej części zatrzasku.

## Możliwości dodatkowe – Pas biodrowy>>>

Po zapięciu pasa sprawdzić przestrzeń pomiędzy pasem biodrowym i użytkownikiem. Gdy pas jest prawidłowo wyregulowany, możliwe jest wsunięcie najwyżej wyprostowanej dłoni między pas a użytkownika. (Rys. 26)

Pas biodrowy powinien być zamocowany w taki sposób, aby jego taśmy były ułożone pod kątem 45°, a po prawidłowej regulacji powinien zapobiegać zsunięciu się użytkownika z siedziska. (Rys. 27)



**Aby zamknąć zatrzask:**  
Mocno wsunąć męską część zatrzasku w żeńską.

**Aby rozpiąć pas:**  
Wcisnąć odkryte miejsca męskiej części zatrzasku i wysunąć w kierunku środka / wcisnąć guzik na żeńskiej części zatrzasku, delikatnie rozsuwając części pasa.

### PORADA DLA KLIENTA

#### ⚠ NIEBEZPIECZEŃSTWO!

- W przypadku transportu samochodowego osoby na wózku nie należy polegać wyłącznie na zabezpieczeniu pasem biodrowym, ale również skorzystać z innych pasów biodrowych i poprzecznych, dostępnych w pojeździe.
- Przed użyciem zalecamy sprawdzenie pasa biodrowego w celu upewnienia się, że został on właściwie zamocowany, nie jest w żaden sposób zablokowany ani nie posiada oznak niepożądanego zużycia oraz że sprzączki zapinają się w sposób właściwy.
- Niewykonanie takiej kontroli przed użyciem może skutkować poważnymi obrażeniami użytkownika, np. zbyt luźny pas może pozwolić na ześlizgnięcie się użytkownika z wózka dołem i spowodować ryzyko uduszenia.

### KONSERWACJA:

W regularnych odstępach czasu sprawdzać stan pasa biodrowego i innych elementów zabezpieczających pod kątem zużycia czy uszkodzenia. W razie konieczności należy je wymienić. Pas biodrowy czyścić ciepłą wodą z mydłem i pozostawić do wyschnięcia.

#### ⚠ NIEBEZPIECZEŃSTWO!

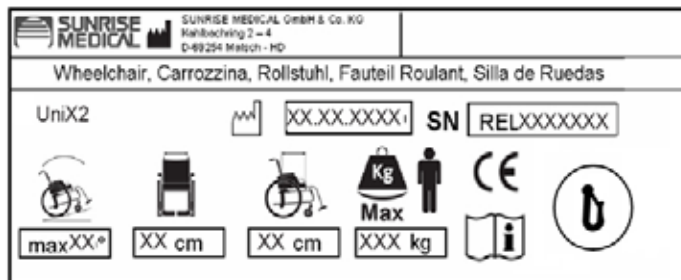
Biodrowy pas bezpieczeństwa należy dostosować do potrzeb użytkownika końcowego w sposób szczegółowo opisany powyżej. Firma Sunrise Medical zaleca również regularne sprawdzanie długości i napięcia pasa w celu zmniejszenia ryzyka nieumyślnego wyregulowania pasa na nadmierną długość przez użytkownika. W razie wątpliwości dotyczących użytkowania i obsługi biodrowego pasa bezpieczeństwa należy zasięgnąć opinii lekarza, dystrybutora wózków inwalidzkich lub opiekuna.

## Tabliczki znamionowe

### TABLICZKI ZNAMIONOWE

Tabliczki znamionowe są umieszczone na zespole krzyżaka, rurze ramy poprzecznej oraz na etykiecie w instrukcji użytkownika. Na tabliczce znamionowej umieszczono dokładne oznaczenie modelu i inne parametry techniczne. Przy zamawianiu części zamiennych i zgłaszaniu reklamacji należy zawsze podawać:

PRÓBKA



UniX<sup>2</sup>

XXXXX-XXX

Nazwa produktu / numer SKU.



Maksymalna bezpieczna wartość wzniesienia z kółkami zabezpieczającymi zależy od ustawień wózka, postawy i możliwości fizycznych użytkownika.



Szerokość siedziska.



Głębokość (maksymalna).



Maksymalne obciążenie.



Znak CE



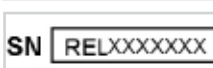
Instrukcja obsługi.



katastrofy przetestowany



Data produkcji.



Numer seryjny.

W związku z prowadzoną przez firmę polityką nakierowaną na nieustanne ulepszanie swoich produktów, dane techniczne wózków mogą się nieznacznie różnić od przedstawionych przykładów. Wszystkie dane dotyczące masy/wymiarów i osiągnięć są przybliżone i podane wyłącznie w celach poglądowych. Produkty Sunrise Medical są zgodne z Dyrektywą Rady 93/42/EWG dotyczącą wyrobów medycznych.



Wszystkie wózki muszą być używane zgodnie z zaleceniami producenta.

Sunrise Medical GmbH & Co.KG

Kahlbachring 2-4

69254 Malsch/Heidelberg

Germany

Tel.: +49 (0) 7253/980-0

Fax: +49 (0) 7253/980-111

www.sunrisemedical.com

## Opony i ich montaż

### OPONY I ICH MONTAŻ

W standardzie, wózki są fabrycznie wyposażone w opony pełne.

Przy ogumieniu pneumatycznym upewnić się, że w oponach jest prawidłowe ciśnienie, gdyż wpływa ono na właściwości jezdne wózka. Zbyt niskie ciśnienie opon powoduje zwiększenie oporu i jest niezbędna większa siła do poruszania wózka. Niskie ciśnienie w oponach wpływa również negatywnie na manewry. Przy zbyt wysokim ciśnieniu opona może ulec uszkodzeniu. Prawidłowa wartość ciśnienia jest opisana na brzegu opony.

Opony są montowane w taki sam sposób, jak w zwykłym rowerze. Przed założeniem nowej dętki należy upewnić się, że wnętrza obręczy i opony są wolne od ciał obcych. Po montażu lub naprawie opony sprawdzić ciśnienie. Okresowe kontrole ciśnienia w oponach i ich dobry stan są bardzo ważne dla bezpieczeństwa użytkownika wózka.

### Kontrole codzienne

#### PRZESTROGA!

Użytkownik jest pierwszą osobą, która może dostrzec następujące możliwe defekty. Zalecane jest sprawdzenie przed rozpoczęciem korzystania z wózka elementów z następującej listy:

- Sprawdzić, czy ciśnienie w oponie jest prawidłowe
- Sprawdzić prawidłowość działania hamulców
- Sprawdzić, czy wszystkie części zdejmowane są zamocowane (np. podłokietnik, płyta podnóżka, półoś szybkiego montażu itp.)
- Sprawdzić, czy na ramie, oparciu, tapicerce siedziska i taocierce oparcia, kołach, podnóżkach nie występują widoczne uszkodzenia.

W przypadku wystąpienia uszkodzenia lub usterki należy skontaktować się z autoryzowanym sprzedawcą.

### Usuwanie usterek

#### Wózek przechyla się na jedną stronę

- Sprawdzić ciśnienie w oponach (dotyczy tylko opon pneumatycznych).
- Sprawdzić, czy koła toczą się bez oporów (łożyska, oś)
- Sprawdzić, czy kółka samonastawne są ustawione pod identycznym kątem i prawidłowo stykają się z ziemią.
- Sprawdzić, czy łożyska kółek samonastawnych w widelcu mogą się swobodnie obracać.

#### Kółka przednie zaczynają drgać

- Sprawdzić, czy wszystkie wkręty są dokręcone; dokręcić je w razie potrzeby (rozdział o momentach dokręcających)
- Sprawdzić, czy oba kółka przednie mają odpowiedni kontakt z podłożem

#### Wózek skrzypi i trzeszczy

- Sprawdzić, czy wszystkie wkręty są dokręcone; dokręcić je w razie potrzeby (rozdział o momentach dokręcających)
- Dodać niewielką ilość smaru w punktach kontaktu ruchomych części ze sobą.

#### Wózek zaczyna drgać

- Sprawdzić kąt nachylenia kółek przednich
- Sprawdzać wszystkie opony pod kątem zużycia i uszkodzeń.
- Sprawdzić, czy tylne koła są jednakowo wyregulowane lub ustawione.

### Konserwacja i utrzymanie

#### KONSERWACJA

- Sprawdzać ciśnienie w oponach co 4 tygodnie. Sprawdzać wszystkie opony pod kątem zużycia i uszkodzeń.
- Sprawdzać hamulce co ok. 4 tygodnie pod kątem prawidłowości działania i łatwości użycia.
- Wymieniać opony tak, jak w zwykłym rowerze.
- Wszystkie złącza krytyczne dla bezpieczeństwa są zablokowane nakrętkami samozabezpieczającymi. Sprawdzać co 3 miesiące, czy wszystkie wkręty są dokręcone (rozdział o momentach dokręcających). Nakrętki samozabezpieczające się mogą być użyte tylko raz i należy je wymieniać po zastosowaniu.

- Do czyszczenia wózka stosować wyłącznie łagodne środki czyszczące. Do czyszczenia tapicerki siedziska i pasa biodrowego stosować wyłącznie wodę z mydłem.
- Aby zapobiegać powstawaniu rdzy i korozji, mokry wózek należy zawsze wysuszyć.
- Co ok. 8 tygodni dodać niewielką ilość oleju do maszyn do szycia do półosi szybkiego montażu. W zależności od częstotliwości i rodzaju użycia zaleca się oddawać wózek do przeglądu u autoryzowanego sprzedawcy co 6 miesięcy.

#### PRZESTROGA!

Piasek i woda morska (lub cząsteczki soli w ziemie) mogą uszkodzić łożyska kół. Czyścić starannie wózek po każdym takim narażeniu.

Następujące części mogą być zdemontowane i przesłane do wytwórcy lub sprzedawcy w celu naprawy: tylne koła, podłokietnik, podnóżek, kółka zabezpieczające. Powyższe elementy są dostępne jako części. Więcej szczegółów przedstawiono we fragmencie dotyczącym części.

### ZASADY HIGIENY PRZY PONOWNYM UŻYCIU:

Wózek należy przygotować starannie przed kolejnym użyciem, spryskując środkiem dezynfekującym wszystkie powierzchnie mające kontakt z ciałem użytkownika.

Do wykonania powyższych czynności i osiągnięcia szybkiego efektu należy użyć płynu do dezynfekcji produktów medycznych, na bazie alkoholu. Stosować się do instrukcji producenta danego środka dezynfekującego.

W ogólności, nie ma gwarancji działania bezpiecznych środków dezynfekcyjnych w przypadku szwów. Dlatego też zaleca się, w przypadku zakażenia drobnoustrojami, rozłożyć siedzisko i oparcie i zdezynfekować je środkami aktywnym zgodnie z §6 przepisów o ochronie przed infekcjami.

### PRZECHOWYWANIE

Wózek należy przechowywać w suchym miejscu.

### Usuwanie i recykling materiałów

**UWAGA:** Jeżeli wózek dostarczono użytkownikowi za darmo, być może nie jest on jego własnością. Jeżeli wózek nie jest dłużej potrzebny, postępować zgodnie z instrukcjami dostawcy wózka dotyczącymi możliwości jego zwrotu.

Poniższe informacje dotyczą materiałów użytych do produkcji wózka w odniesieniu do ich usuwania, recyklingu wózka i jego pakowania. Podczas organizowania utylizacji materiałów sprawdzić, jakie lokalne przepisy regulują zagadnienia usuwania i recyklingu odpadów. (Mogą one wymagać oczyszczenia lub odkażenia wózka przed jego usunięciem).

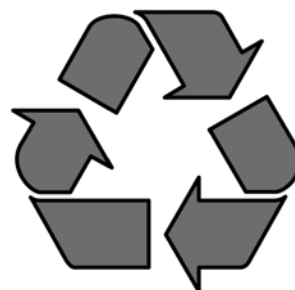
**Stal:** Złącza, półoś szybkiego montażu, boczne ramy, ramy podłokietników, podnóżki, rączek prowadzących.

**Tworzywa sztuczne:** Uchwyty, widelce kółek przednich, zatyczki rur, kółka przednie, płyty podnóżków, płyty podłokietników, koła/opony 12", osłony boczne.

**Opakowanie:** Torby z polietylenu o niskiej gęstości, pudła tekturowe.

**Tapicerka:** Tkanina poliestrowa z pokryciem PCW i ekspandowaną pianką modyfikowaną.

Usuwanie lub recykling materiałów powinny być wykonywane przez licencjonowanego przedstawiciela lub autoryzowany punkt utylizacji. Alternatywnie można zwrócić wózek sprzedawcy celem jego utylizacji.



## Dane techniczne

**MAKSYMALNE OBCIĄŻENIE: 125 KG**

**PATRZ TAKŻE STR. 4**

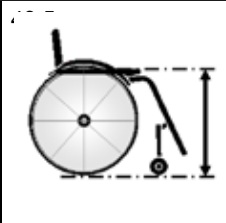
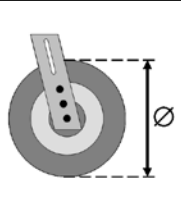
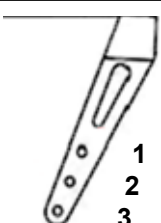
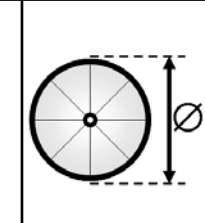
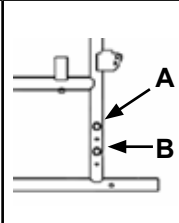
Zgodnie z normą EN12183: 2009 wszystkie wymienione części (siedzisko – tapicerka oparcia, podłokietnik, panel boczny...) są ognioodporne zgodnie z normą EN1021-2.

Wartość bezpiecznego kąta nachylenia użytkownika wózka uzależniona jest od konfiguracji, umiejętności użytkownika oraz stylu jazdy. Maksymalna wartość kąta nachylenia nie może być określona, ponieważ umiejętności użytkownika oraz styl jazdy są niemożliwe do przewidzenia. Dlatego wartość musi zostać określona przez użytkownika przy obecności osoby towarzyszącej w celu uniknięcia przewrócenia wózka. Usilnie zaleca się, aby niedoświadczeni użytkownicy wyposażyli swój wózek w kółka zabezpieczające.

Wózek spełnia wymagania następujących norm:

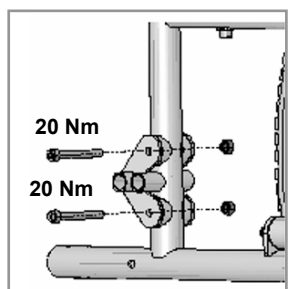
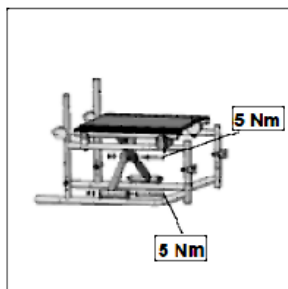
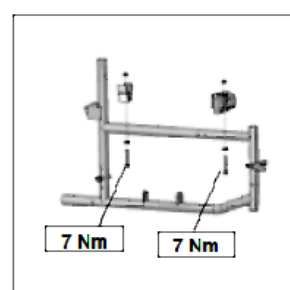
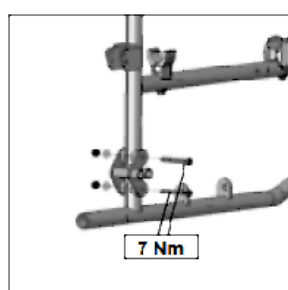
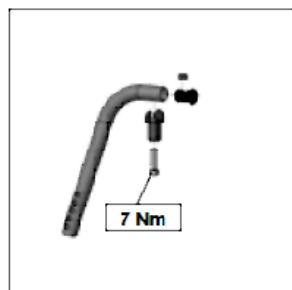
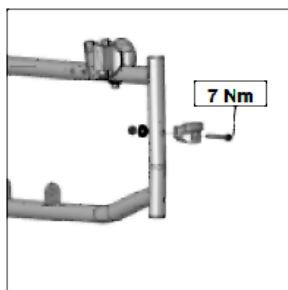
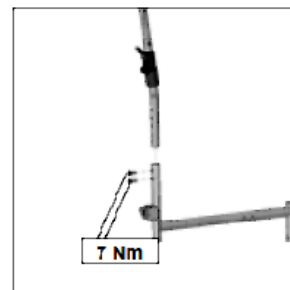
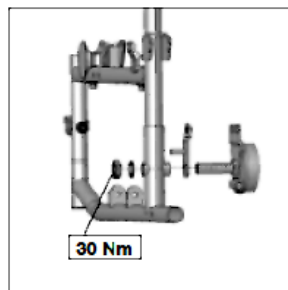
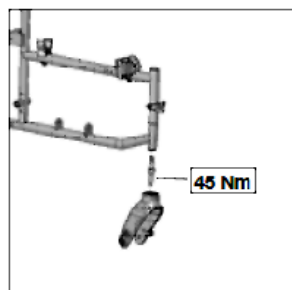
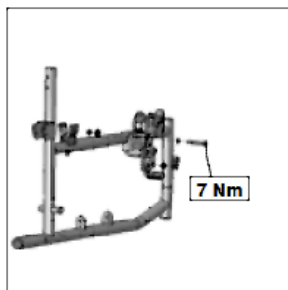
- Wymagania i metody badań wytrzymałości statycznej, zmęczeniowej i odporności na uderzenia (ISO 7176-8)
- Wymagania odporności na zapalenie zgodnie z ISO 7176-16 (EN 1021-1)

## Regulacja wysokości siedziska

				
<b>470 mm</b>	<b>8"</b>	<b>1</b>	<b>24"</b>	<b>A</b>
<b>510 mm</b>	<b>8"</b>	<b>3</b>	<b>24"</b>	<b>B</b>

WERSJA POLSKA

## Momenty dokręcające













Sunrise Medical GmbH & Co.KG  
Kahlbachring 2-4  
69254 Malsch/Heidelberg  
Germany  
Tel.: +49 (0) 7253/980-0  
Fax: +49 (0) 7253/980-111  
www.SunriseMedical.com

Sunrise Medical Limited  
High Street Wollaston  
West Midlands DY8 4PS  
ENGLAND  
Tel.: +44 (0) 1384446688  
www.SunriseMedical.com

Sunrise Medical S.L.  
Polígono Bakiola, 41  
48498 Arrankudiaga – Vizcaya  
España  
Tel.: +34 (0) 902142434  
Fax: +34 (0) 946481575  
www.SunriseMedical.com

SUNRISE MEDICAL SAS  
ZAC de la Vrillonnerie  
17 Rue Michael Faraday 37170  
Chambray Lès Tours  
Tél.: +33 (0) 2 47 55 44 00  
Fax: +33 (0) 2 47 55 44 03  
www.SunriseMedical.com

Sunrise Medical Srl  
Via Riva 20, Montale  
29100 Piacenza (PC)  
Italy  
Tel.: +39 0523-573111  
Fax: +39 0523-570060  
www.SunriseMedical.com

Sunrise Medical A.G.  
Lückhalde 14  
3074 Muri bei Bern  
Switzerland  
Tel.: +41 (0) 31-958-3838  
Fax: +41 (0) 31-958-3848  
www.SunriseMedical.com

Sunrise Medical AS  
Dynamitveien 14 b  
1400 Ski  
Norway  
T: +47 66 96 38 00  
F: +47 66 96 38 80  
E: post@sunrisemedical.no  
www.SunriseMedical.com

Sunrise Medical AB  
Britta Sahlgrens gata 8A  
421 31 Västra Frölunda  
Sweden  
Tel: +46 (0) 31-748 37 00  
Fax: +46 (0) 31-748 37 37  
www.SunriseMedical.com

Sunrise Medical B.V.  
Groningenhaven 18-20  
3433 PE Nieuwegein  
Pays-Bas  
Tel.: +31 (0) 3060-82100  
Fax: +31 (0) 3060-55880  
www.SunriseMedical.com

G2 A/S  
Graham Bells Vej 21-23 A  
8200 Aarhus N  
Denmark  
Tel.: +45 87 41 31 00  
Fax: +45 87 41 31 31  
www.G2.dk

Sunrise Medical Pty. Ltd.  
6 Healey Circuit, Huntingwood,  
NSW 2148,  
Australia  
Phone: 9678 6600,  
Orders Fax: 9678 6655,  
Admin Fax: 9831 2244.  
Australia  
www.SunriseMedical.com